



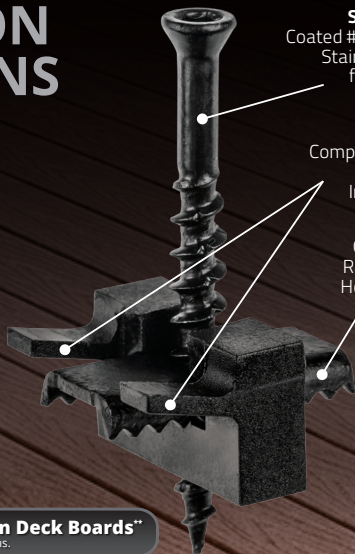
NINJA™

HIDDEN DECK CLIP



View helpful
Installation video

INSTALLATION INSTRUCTIONS



STRENGTH

Coated #316 Grade
Stainless Steel
for Durable
Longevity

SPEED

Compression Fit
for Faster
Installation

SECURITY

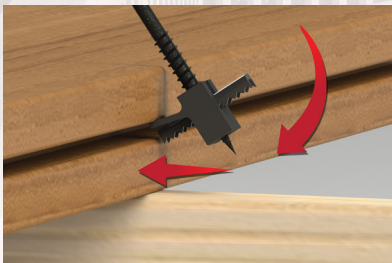
Grip-Bite™
Razor Teeth
Hold Boards
in Place

PRIMEGUARD MAX STAINLESS
LIFETIME GUARANTEE*

PATENT
PENDING

For Use with Wolf, TREX and Fiberon Deck Boards™

Follow deck board manufacturer's installation recommendations.



- 1 On the outside edge of the installed starter board, hold the clip at an angle and insert the compression fit tabs.† Then rotate and push the Grip-Bite™ razor teeth into the groove. The clip will now stand securely.

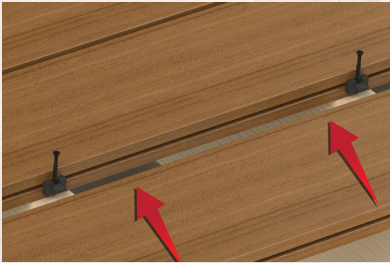


2. Center each pre-assembled Grip-Rite Ninja clip over the joist. NO NEED TO PRE-SET.

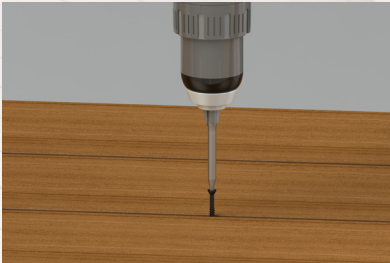


3. Place one Grip-Rite Ninja clip at each joist along the length of the board.

† The first board must be installed with a face screw to secure before using.



4. Slide the next deck board into place insuring the Grip-Bite™ razor teeth lock into the grooves.



5. With the new board held firmly in place, fully tighten down the screws of each Grip-Rite Ninja clip. Set the drill to 1/3 of the Max torque. If your drill has the option of a clutch mode it is recommended you use that. Impact Drills should not be used with Grip-Rite Ninja Clip.



6. Repeat the same process for each deck board.



NINJA™

HIDDEN DECK CLIP

PRIME SOURCE
BUILDING PRODUCTS, INC.

PrimeSourceBP.com

NATIONWIDE
INDUSTRIES



LOCKEY
USA

COMPLETE



ULTRA-TEC

GRX

* Limited lifetime guarantee against rust. For use in coastal regions, with all treated lumber, cedar and redwood, around pools and similar applications. Warranty limited to the stainless steel screw. For warranty information visit <https://grip-rite.com/warranty>.

** The Grip Rite Ninja Hidden Deck Clip is not endorsed by TREX® or Fiberon®. PrimeSource Building Products, Inc., the importer/manufacturer of this product is not affiliated in any way with TREX or Fiberon. Grip-Rite is a trademark of PrimeSource Building Products, Inc. Other product and company names listed may be trademarks of their respective owners.