

TREX® SIGNATURE® POSTS

Installation Instructions for Pressure-treated Wood Framing and Concrete

INSTALLING TREX SIGNATURE POSTS AND/OR TREX SIGNATURE CROSSOVER POSTS ON WOOD

IMPORTANT NOTES:

- » EACH POST MUST BE ATTACHED AS SHOWN TO ENSURE A CODE COMPLIANT AND SAFE INSTALLATION.
- » TREX SIGNATURE POSTS CANNOT BE USED WITH TRADITIONAL OR COCKTAIL DESIGNS, ONLY PRESSURE TREATED POST/POST SLEEVES CAN BE USED. REFER TO DETAILED INSTRUCTIONS FOR MORE INFORMATION.
- » ALWAYS refer to your local building code official prior to installing any railing system to ensure all code and safety requirements are met. Trex cannot be held responsible for improper or non-recommended installations.
- » When installing Trex Signature posts on ACQ, CCA or concrete surfaces, use an appropriate isolation barrier between post and surface (contact local building code official if needed).
- » All Trex Signature stair installations require the use of a 53" (1346 mm) stair post, measured and cut to appropriate length if necessary.
- » If crossover stair post is required, use stair post (again cut to appropriate length if necessary) and use swivel crossover bracket.
- » If installing on concrete, make sure all surfaces are level.
- » In areas of extreme cold/cold weather conditions (ex. ice/snow) its recommended to drill a small weep hole at the base of the post (can be hidden under post skirt) to allow for water drainage.

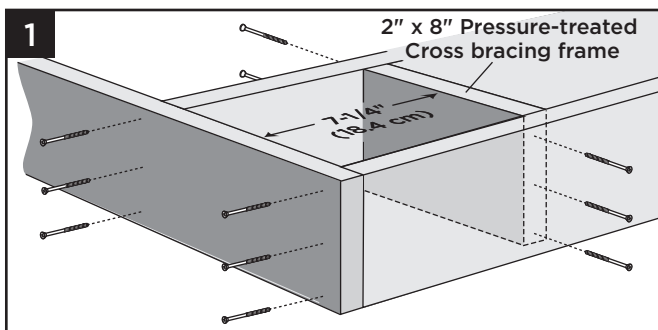
TOOLS AND MATERIALS NEEDED

- » Drill and/or screw gun (hammer drill for concrete)
- » 1/2" (13 mm) drill bit for wood, 3/8" (10 mm) drill bit for concrete
- » Blocking - 2" x 8" (51 mm x 203 mm) pressure-treated Southern Yellow Pine or equivalent
- » Qty: 36 (per post) - 3" pressure-treated compatible wood screws

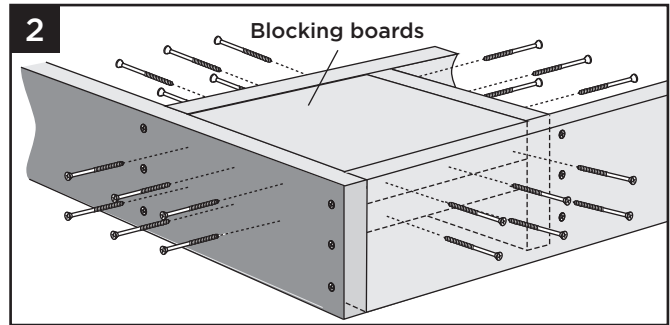
Code Approved Post Applications

| | |
|----------------------|---|
| POST SIZE | 2.5" (64 mm) |
| | 2.5" (64 mm) |
| | 2.5 x 2.5 (64 mm x 64 mm) Post (IRC) |
| < 30" height decking | Acceptable (Code Approval not Applicable) |
| IRC Compliant | Yes |
| IBC Compliant | No |

Installing Signature Posts and/or Signature Crossover Posts on Pressure-treated Wood Framing (Corner Post Installation)



1. Install 2" x 8" (51 mm x 203 mm) cross bracing frame in between joists at 7-1/4" (184 mm). Attach a total of twelve 3" (76 mm) pressure-treated compatible screws (not provided).

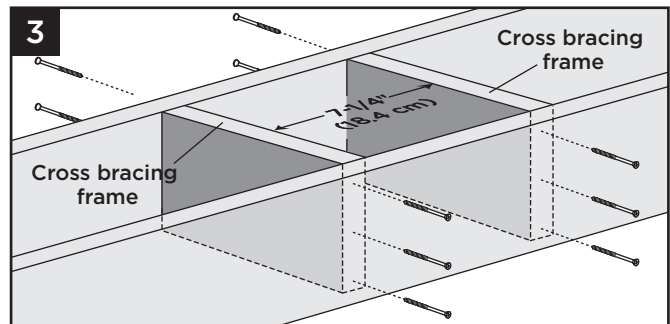


2. Install two 2" x 8" (51 mm x 203 mm) boards as blocking under post location. Securely attach blocking using a total of twenty-four 3" (76 mm) pressure-treated compatible screws (not provided).

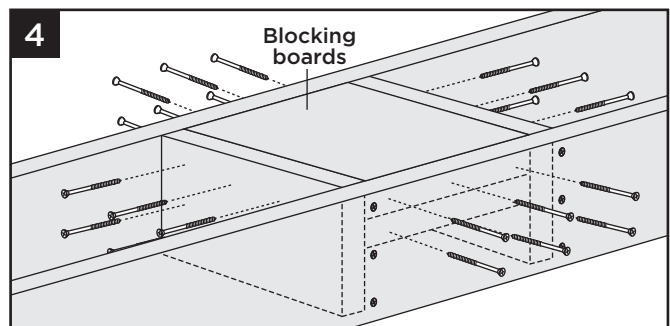
NOTE: TO ENSURE THE BLOCKING IS FULLY SECURE, USE THE AMOUNT OF SCREWS indicated ABOVE.

TIP: Use two additional screws to "sandwich" blocking boards together for easier attachment to framing.

Line Post Installation



3. Install two 2" x 8" (51 mm x 203 mm) cross bracing frames in between joists at 7-1/4" (184 mm). Attach a total of twelve 3" (76 mm) pressure-treated compatible screws (not provided).



4. Install two 2" x 8" (51 mm x 203 mm) boards as blocking under post location. Securely attach blocking using a total of twenty-four 3" (76 mm) pressure-treated compatible screws (not provided).

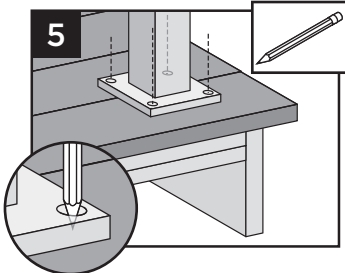
TREX® SIGNATURE® POSTS

Installation Instructions for Pressure-treated Wood Framing and Concrete

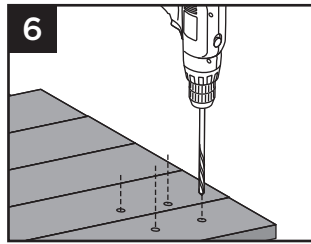
INSTALLING TREX SIGNATURE POSTS AND/OR SIGNATURE CROSSOVER POSTS ON WOOD/CONT

NOTES:

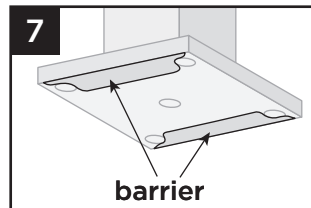
» *Metal backplate is only required for 2.5" (64 mm) post in IRC installations. (Consult local code official for more information.)*



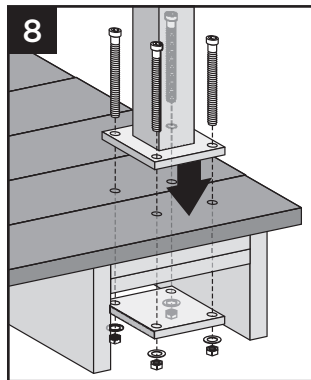
- Using post as a template, mark locations of holes.
- Drill through decking and blocking boards using 5/8" diameter bit (long drill bit will be required).



- Insert (2) stainless steel barrier strips (not provided) under the mounting bolt holes. **BARRIER STRIPS ARE REQUIRED ONLY IF ATTACHING POST DIRECTLY TO PRESSURE-TREATED FRAMING** (these can be purchased on ShopTrex.com).



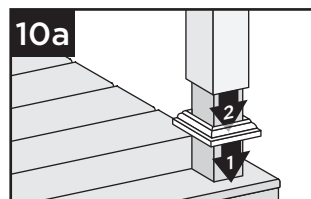
- Attach posts using four 3/8" x 6" (10 mm x 152 mm) hex cap bolts, washers, and nuts, along with aluminum back plate on underside of blocking. If the project requires IRC compliance, this back plate **MUST** be installed under the decking to ensure this will meet code compliance. Reference SKU part number ALPOSTHWDECK for required hardware and aluminum plate. (Consult local code official for more information on IRC Compliance.)



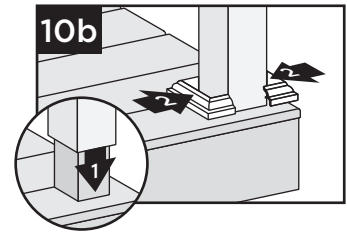
INSTALLING PRESSURE-TREATED POSTS, POST SLEEVES, AND SKIRTS TO USE WITH TREX SIGNATURE RAILING

- NOTE: PLEASE REFER TO LOCAL BUILDING CODE REQUIREMENTS PRIOR TO ATTACHING PRESSURE TREATED POSTS.**

- If using a 1-piece skirt, slide post sleeve skirt over post and down to rest on decking surface. Slide post sleeve over post and position inside post sleeve skirt.

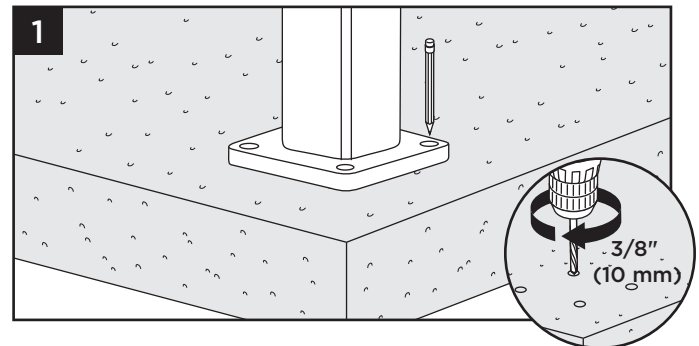


- If using a two-piece skirt Slide post sleeve over post and down to rest on decking surface. Snap two piece skirt over post sleeve.



NOTE: Shims can be used to plumb post sleeves.

INSTALLING TREX SIGNATURE POSTS ON CONCRETE

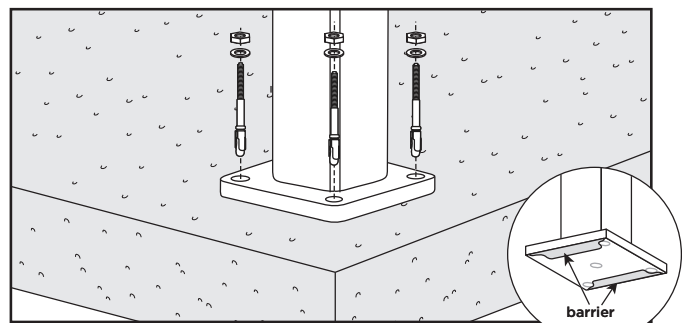


Pre-drill Hole

- Using post as a template, mark locations of the four holes and drill into concrete at least 2-5/8" (67 mm) using a 3/8" (10 mm) masonry bit.

NOTE: You can either set drill bit to correct depth on drill or mark drill bit with tape at required dimension to ensure all holes are drilled at correct depth.

- Clean out holes to remove all concrete dust using a shop vacuum or other appropriate tool.



- Insert (2) stainless steel barrier strips (not provided) under mounting bolt holes (these can be purchased on ShopTrex.com). Use appropriate shims if posts are not plumb. Secure posts using four TREX SUPPLIED 3/8" x 3-3/4" (10 mm x 95 mm) wedge anchors. Reference SKU part number ALPOSTHWCONC for required hardware (wedge anchors, washers, and nuts).

NOTES:

- » *When using hammer to tap anchors in place, keep threaded nut at top of anchor in order to not damage threads.*
- » *Recommended torque for anchors is 30 ft-lbs.*