

TREX® SIGNATURE® HORIZONTAL RAILING

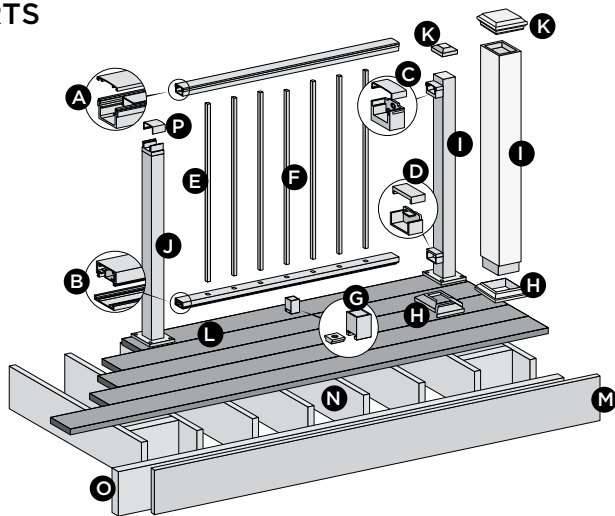
Installation Instructions



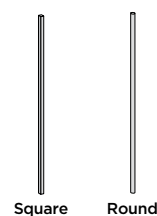
NOTES:

- » TREX SIGNATURE POSTS CANNOT BE USED WITH TRADITIONAL OR COCKTAIL DESIGNS. ONLY PRESSURE TREATED POSTS/POST SLEEVES CAN BE USED. REFER TO DETAILED INSTRUCTIONS FOR MORE INFORMATION.
- » TREX SIGNATURE RAILINGS ARE DESIGNED TO BE ATTACHED WITH POSTS INSTALLED AT A CLEAR SPAN OF 6' (1.83 M) OR 8' (2.44 M).
- » IF INSTALLING AT EXACT SPAN LENGTHS OF 6' (1.83 M) OR 8' (2.44 M), AND USING POST-TO-POST CONFIGURATION, THE BOTTOM RAIL WILL NOT NEED TO BE CUT, BUT THE TOP RAIL WILL NEED TO BE MEASURED (MAKING SURE BALUSTERS LINE UP VERTICALLY) AND CUT.
- » IF INSTALLING AT EXACT SPAN LENGTHS OF 6' (1.83 M) OR 8' (2.44 M), AND USING CROSSOVER POST CONFIGURATION (SPANS FROM ONE CROSSOVER POST TO ANOTHER CROSSOVER POST), BOTH THE BOTTOM RAIL AND TOP RAIL WILL NOT NEED TO BE CUT.
- » IN ADDITION, AT ALL FINAL END POST CONFIGURATIONS, TOP RAIL WILL NEED TO BE MEASURED (MAKING SURE BALUSTERS LINE UP VERTICALLY) AND CUT.
- » SEE DETAILED INSTRUCTIONS FOR MORE INFORMATION.
- » ALL TREX SIGNATURE SPANS OVER 6' WILL REQUIRE THE USE OF A FOOT BLOCK. THUS THESE RAILING SPANS MUST BE INSTALLED OVER THE DECKING FRAME OR ON INSIDE OF RIM JOIST.

PARTS



BALUSTER OPTIONS



DETERMINING BALUSTERS NEEDED

Baluster Type	Per 6' Section	Per 8' Section
Square	15	20
Round	15	20

NOTE: THIS IS AN OVERVIEW OF ALL RAILING COMPONENTS FOR TREX SIGNATURE HORIZONTAL APPLICATIONS - REFER TO DETAILED INSTRUCTIONS FOR SPECIFIC RAILING CONFIGURATIONS.

- A. Trex Signature top rail and crowned cover
 - 6' (actual length 73.5" [186.7 cm])
 - 8' (actual length 97.5" [247.7 cm])
- B. Trex Signature bottom rail and flat cover
 - 6' (actual length 71.5" [181.6 cm])
 - 8' (actual length 95.5" [242.6 cm])
- C. Trex Signature upper rail bracket and cover
- D. Trex Signature lower rail bracket and cover
- E. Trex Signature balusters (square or round)
- F. Trex Signature center baluster (square or round)
- G. Trex Signature foot block**
- H. Trex Signature post skirt or post sleeve skirt*
- I. Trex Signature post*
 - 36" (actual length 37" [94.0 cm])
 - 42" (actual length 43" [109.2 cm])
 - or Trex 4" x 4" post sleeve***
 - 36" (actual length 39" [99.1 cm])
 - 42" (actual length 45" [114.3 cm])
- J. Trex Signature crossover post*
 - 36" (actual length 34.5" [87.6 cm])
 - 42" (actual length 40.5" [102.9 cm])
- K. Trex Signature post cap or post sleeve cap*
- L. Trex decking
- M. Trex fascia
- N. Code-approved wood joist 2" x 8" (5.1 cm x 20.3 cm) or larger
- O. Code-approved wood rim joist 2" x 8" (5.1 cm x 20.3 cm) or larger
- P. Crossover bracket cover (supplied with crossover post)

* Item not included in Trex Signature Railing kits.
 ** Required ONLY for All Clear Span Applications over 6' (1.83 m) when smaller fixed baluster is fully centered, or unsupported spans greater than 5' (1.52 m) (example: 8' (2.44 m) span cut into one 5' (1.52 m) span and one 3' (0.91 m) span would require foot block under 5' (1.52 m) span since smaller fixed baluster is no longer centered). Included with 8' (2.44 m) railing kits.
 *** Both 4" x 4" (10.2cm x 10.2cm) and 6" x 6" (15.2cm x 15.2 cm) post sleeves are designed to fit over a 4" x 4" pressure treated post.

NOTE: MUST USE TREX DECK MOUNT POST HARDWARE AND METAL PLATE WHEN ATTACHING Signature POSTS.

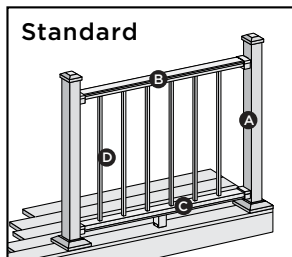
NOTE: If installing 42" (106.7 cm) railing, and using pressure-treated posts with Trex post sleeves, ensure that a longer pressure-treated post is used along with longer post sleeve, both cut to a height of 46" (116.8 cm) from decking surface.

TREX® SIGNATURE® HORIZONTAL RAILING

Installation Instructions

TREX SIGNATURE RAILING CONFIGURATIONS

NOTE: See specific installation instructions for attachment of Trex Post Mounts or Trex Joist Mount Posts prior to installing any railing.

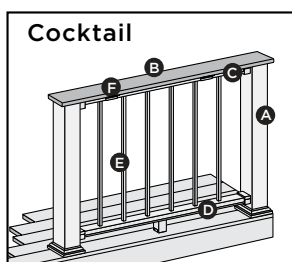


Cutting posts/post sleeves is **NOT** required.

A. Trex Signature post, pressure-treated post/Trex 4x4 or 6x6 post sleeve, Trex post mount/Trex 4x4 post sleeve, or Composite Joist Mount Post/Trex 4x4 post sleeve (Inside mount), or Signature Joist Mount Post (Span of 6' or less only)

B. Trex Signature top rail
C. Trex Signature bottom rail
D. Trex Signature balusters

See page 4 for "How to Install Standard Railing".



Post sleeves will need to be cut.

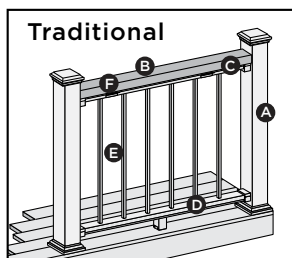
A. Pressure-treated post with Trex post sleeve

NOTE: » Only for use with 4" x 4" (102 mm x 102 mm) post sleeve.
» Trex Signature Posts, Trex Post Mounts or Joist Mount Posts cannot be used with Signature Cocktail design.

B. Deck board top rail. **NOTE:** Enhance cannot be used.
C. Trex Signature top rail
D. Trex Signature bottom rail
E. Trex Signature balusters
F. Trex Signature Cocktail Rail Bracket**

See page 16 for "How to Install Trex Signature Cocktail Railing".

**POST
SLEEVES
WILL
NEED TO
BE CUT**



Cutting posts/post sleeves is **NOT** required.

A. Pressure-Treated post/Trex 4x4 or 6x6 post sleeve, Trex post mount/Trex 4x4 post sleeve, or Joist Mount Post/Trex 4x4 post sleeve

NOTE: » Trex Signature Posts or Trex Signature Joist Mount Posts cannot be used.

B. 2 x 4 lateral top rail
C. Trex Signature top rail
D. Trex Signature bottom rail
E. Trex Signature balusters
F. Trex Signature Cocktail Rail Bracket**

See page 17 for "How to Install Trex Signature Traditional Railing".

** Trex Signature Cocktail Rail brackets (sold separately) are for use with either Trex Signature Traditional or Trex Signature Cocktail designs. For a 6' section, use 4 brackets and screws provided, for 8' section, use 5 brackets and screws provided.

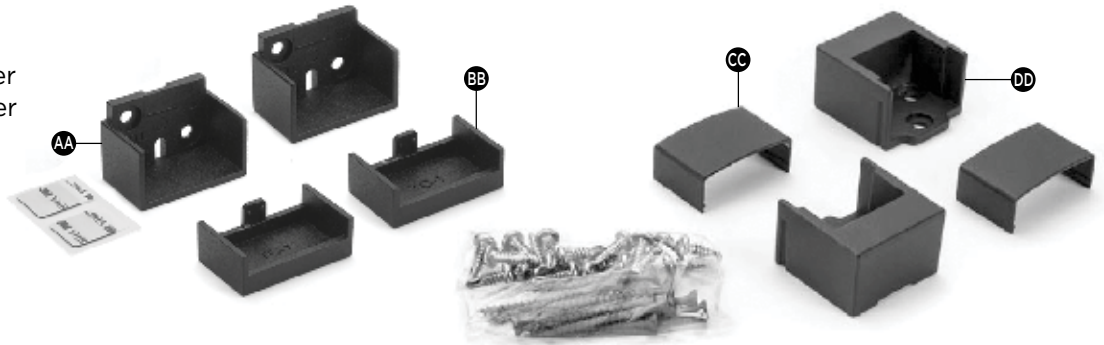
NOTE: For post installations refer to Trex Signature Post Installation Instructions.

BRACKET HARDWARE - HORIZONTAL APPLICATIONS (INCLUDING HORIZONTAL SWIVEL BRACKETS)

TREX SIGNATURE

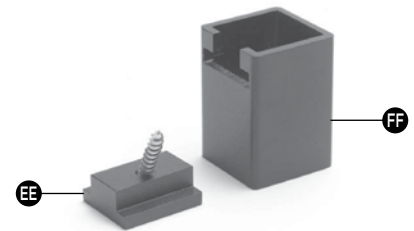
HORIZONTAL RAILING HARDWARE

- AA. Lower rail bracket
- BB. Lower rail bracket cover
- CC. Upper rail bracket cover
- DD. Upper rail bracket



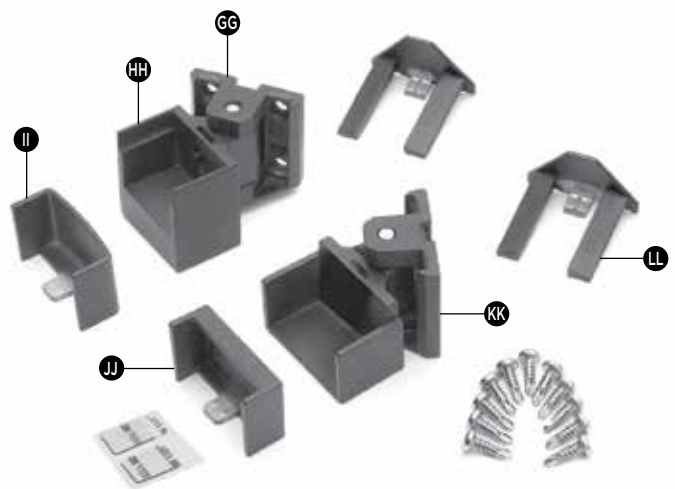
FOOT BLOCK COMPONENTS

- EE. Foot block base
- FF. Foot block support



HORIZONTAL SWIVEL HARDWARE

- GG. Swivel base
- HH. Horizontal swivel bracket top rail
- II. Horizontal swivel bracket top rail cover
- JJ. Horizontal swivel bracket bottom rail cover
- KK. Horizontal swivel bracket bottom rail
- LL. Swivel base cover



TREX® SIGNATURE® HORIZONTAL RAILING

Installation Instructions

HOW TO INSTALL HORIZONTAL RAILING TREX SIGNATURE STANDARD

NOTES:

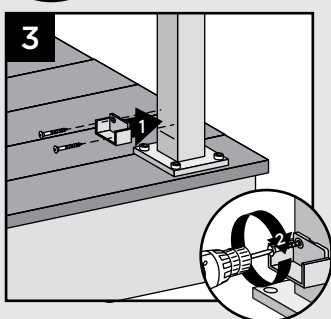
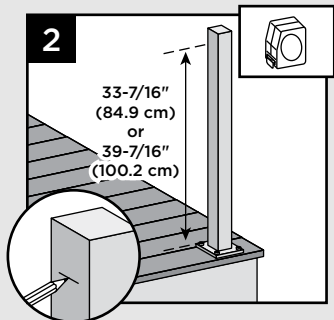
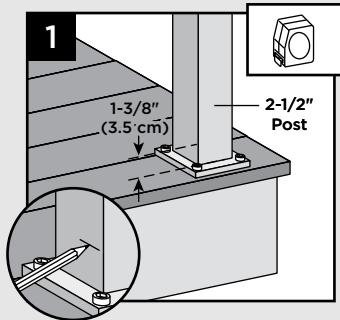
» FOR EASE OF INSTALLATION, IT IS RECOMMENDED TO USE THE TREX SIGNATURE RAIL TEMPLATES TO ATTACH BRACKETS (SOLD SEPARATELY).

» DO NOT USE IMPACT DRIVER WHEN INSTALLING SIGNATURE RAILING, ONLY USE STANDARD DRILL FOR SCREW ATTACHMENT OF BRACKET TO POSTS AND RAILS.

Attach Brackets Using Trex Signature Posts

TIP: Use a clamp to help hold brackets in place while fastening with screws.

1. Measure 1-3/8" (3.5 cm) from top of post base plate or 1-7/8" (4.8 cm) from decking surface. Mark with light line.

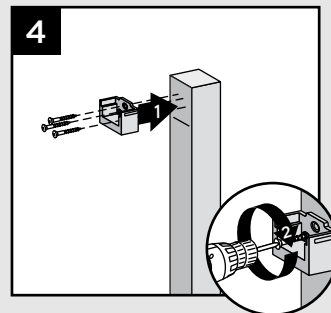


2. Measure up from post base plate 33-7/16" (84.9 cm) for 36" (92 cm) rail height or 39-7/16" (100.2 cm) for 42" (107 cm) rail height. Mark with light line.

NOTE: If measuring from decking surface, measure up 33-15/16" (86.2 cm) for 36" (92 cm) rail height or 39-15/16" (101.4 cm) for 42" (107 cm) rail height.

3. Center lower bracket on post **above** the marked line and attach using two self-tapping screws (provided).
4. Center upper bracket on post **above** marked line and attach using (3) self-tapping screws (provided).

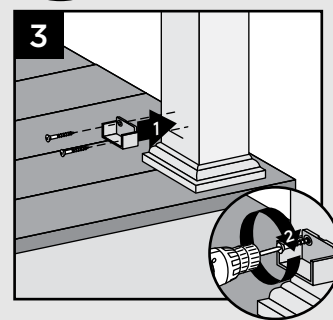
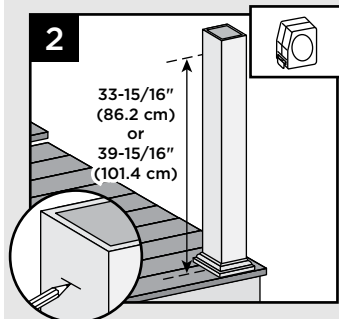
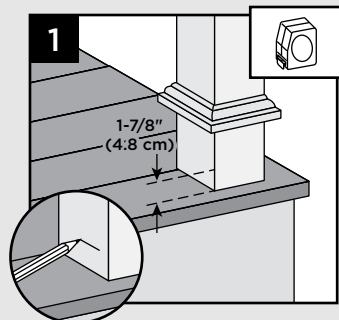
NOTE: Upper bracket is not required on crossover post configuration.



Attach Brackets Using Pressure-Treated Posts and Post Sleeves

TIP: Use a clamp to help hold brackets in place while fastening with screws.

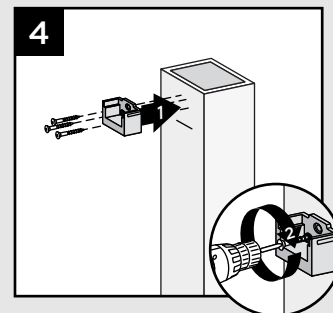
1. Measure 1-7/8" (4.8 cm) up from deck surface to bottom of bracket. Slide skirt up to allow for proper measurement. Mark with light line.



2. Measure up from decking surface 33-15/16" (86.2 cm) for 36" (92 cm) rail height or 39-15/16" (101.4 cm) for 42" (107 cm) rail height. Mark with light line.

NOTE: Push skirt back down onto surface of decking **BEFORE ATTACHING BRACKETS.**

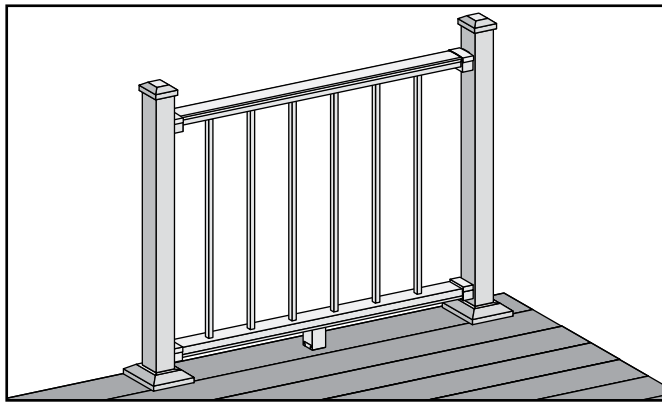
3. Center lower bracket on post **above** the marked line and attach using two 2" (51 mm) wood screws (provided).
4. Center upper bracket on post **above** marked line and attach using three 2" (51 cm) wood screws (provided).



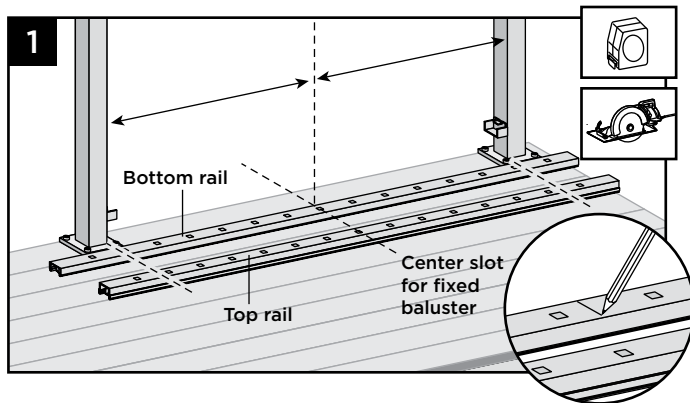
HOW TO INSTALL HORIZONTAL RAILING POST TO POST TREX SIGNATURE

NOTES:

- » TREX SIGNATURE RAILINGS ARE DESIGNED TO BE ATTACHED WITH POSTS INSTALLED AT A CLEAR SPAN OF 6' (1.83 M) OR 8' (2.44 M).
- » IF INSTALLING AT EXACT SPAN LENGTHS OF 6' (1.83 M) OR 8' (2.44 M), AND USING POST-TO-POST CONFIGURATION, THE BOTTOM RAIL WILL NOT NEED TO BE CUT, BUT THE TOP RAIL WILL NEED TO BE MEASURED (MAKING SURE BALUSTERS LINE UP VERTICALLY) AND CUT.
- » FOR ODD SPAN LENGTHS, BOTH TOP RAIL AND BOTTOM RAIL WILL NEED TO BE MEASURED (MAKING SURE BALUSTERS LINE UP VERTICALLY) AND CUT. ENSURE THAT BALUSTERS ARE SPACED WITH AN EQUAL DISTANCE ON EACH SIDE OF THE POST.
- » WHEN RAILINGS ARE CUT TO ODD SPANS, ALL SPANS GREATER THAN 5' (1.52 M) (EXAMPLE: 8' (2.44 M) SPAN CUT INTO ONE 5' (1.52 M) SPAN AND ONE 3' (0.91 M) SPAN) WOULD REQUIRE FOOT BLOCK UNDER 5' (1.52 M) SPAN SINCE SMALLER FIXED BALUSTER IS NO LONGER CENTERED.



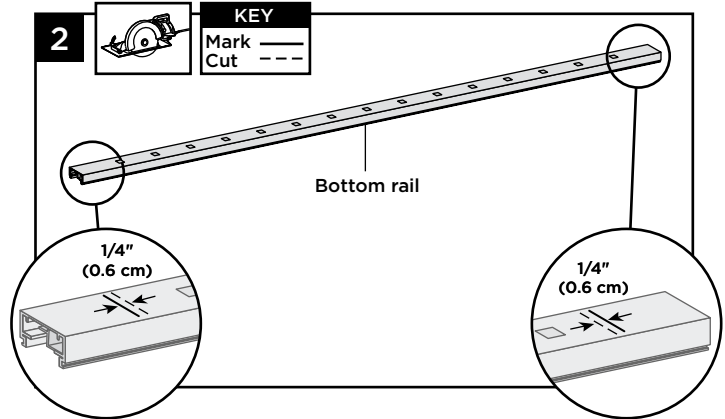
How to Measure and Cut Bottom and Top Railings (When Required)



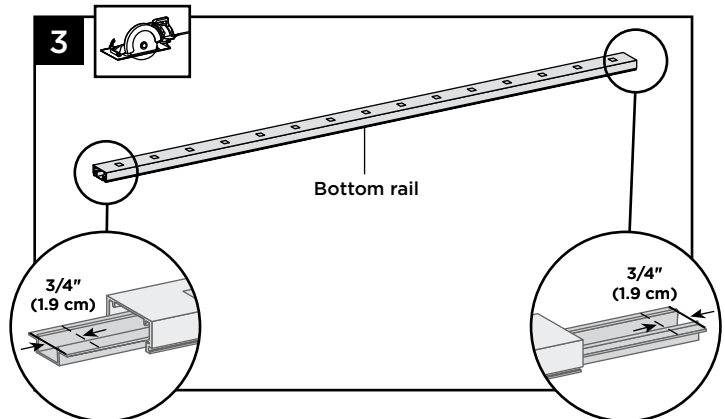
1. Position bottom and top rails between posts and align with bottom bracket. Align the center baluster slot in both rails with the middle of the span between posts.* This will allow an equal number of baluster holes on each side of center slot. Mark bottom rail and top rail at each end (ensure both rails are centered between posts).

* In some cases, due to odd railing spans, the center baluster may need to be offset in one direction to ensure there is enough room at both post locations for balusters to be placed, review this BEFORE cutting any railings to ensure all balusters are equally spaced.

Cutting Bottom Rail and Bottom Rail Cover

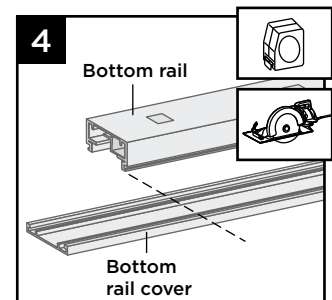


2. Cut each end of bottom rail 1/4" (0.6 cm) shorter than mark on each end to allow for fit into bottom rail brackets.



3. Slide rail insert out and cut 3/4" (19 mm) FROM EACH SIDE of insert, then slide back inside rail and center.

4. Mark and cut bottom rail cover the same length as bottom rail.

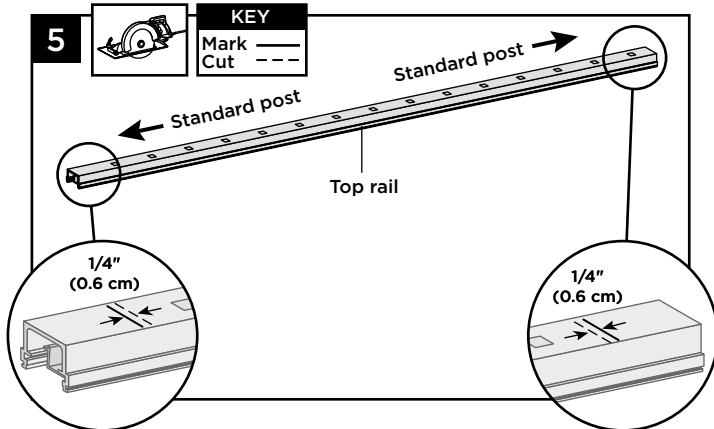


TREX® SIGNATURE® HORIZONTAL RAILING

Installation Instructions

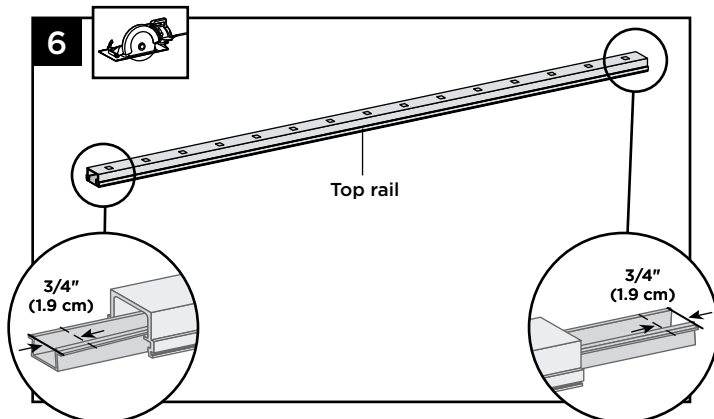
HOW TO INSTALL HORIZONTAL RAILING POST TO POST/CONTINUED TREX SIGNATURE

Cutting Top Rail

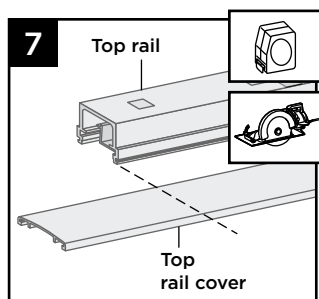


5. Cut each end of top rail 1/4" (0.6 cm) shorter than mark to allow for fit into top rail brackets.

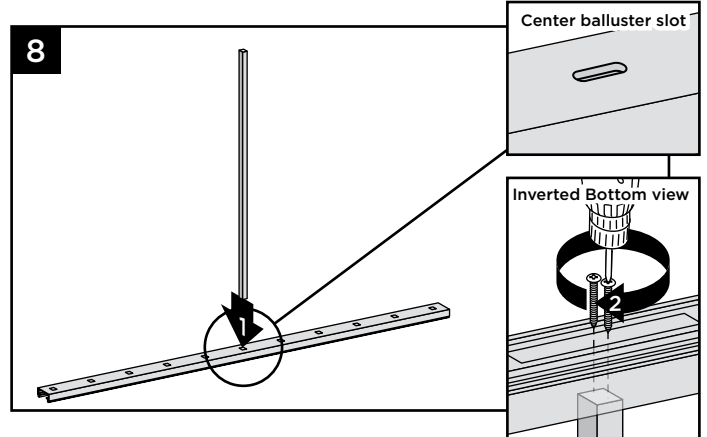
Cutting Top Rail Insert and Cover



6. Slide rail insert out and cut 3/4" (1.9 cm) **FROM EACH SIDE** of insert, then slide back inside rail and center.
7. Mark and cut top rail cover same length as top rail for all top rail configurations.

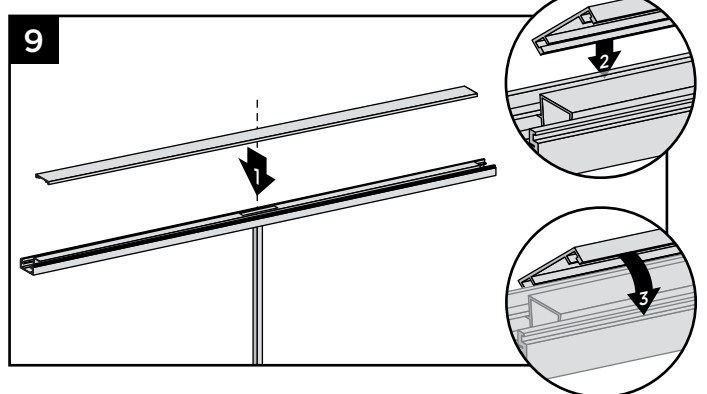


Attaching Center Baluster to Bottom Rail



8. Attach shorter, center baluster in center slot in bottom rail using two #8 x 1-1/4" (3.2 cm) screws (*provided*).

Attaching Bottom Rail Cover

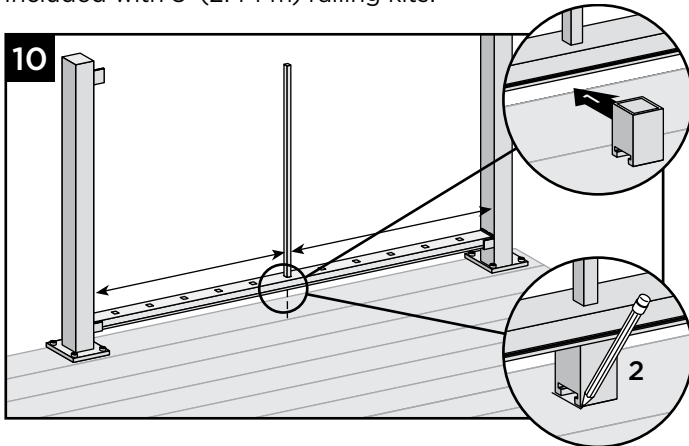


9. Align flat cover on one side of bottom rail in slot on side of rail. Then starting from one end of rail snap cover onto opposing slot working down the length of rail. In some cases, **GENTLE** tapping with a **rubber mallet** may facilitate fastening.

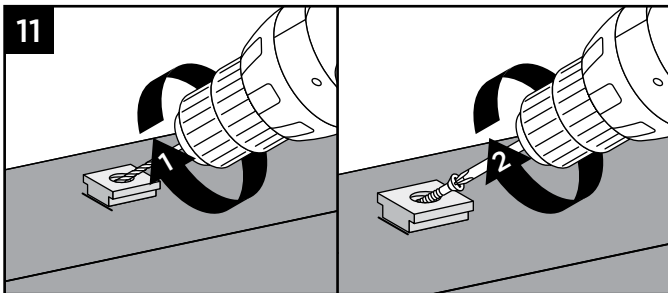
HOW TO INSTALL HORIZONTAL RAILING POST TO POST/CONTINUED TREX SIGNATURE

Attaching Foot Block (when required)

Required **ONLY** for All Clear Span Applications over 6' (1.83 m) when shorter fixed baluster is centered, or unsupported spans greater than 5' (1.52 m) (example: 8' (2.44 m) span cut into one 5' (1.52 m) span and one 3' (0.91 m) span would require foot block under 5' (1.52 m) span since shorter fixed baluster is no longer centered). Included with 8' (2.44 m) railing kits.

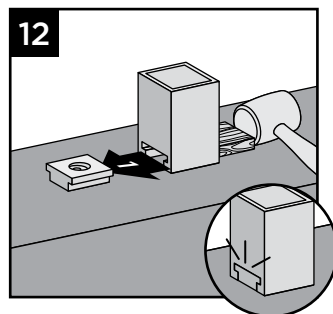


10. Temporarily set bottom rail into bottom brackets, and place foot block under center of bottom rail. Mark to provide placement location of base. Remove bottom rail.



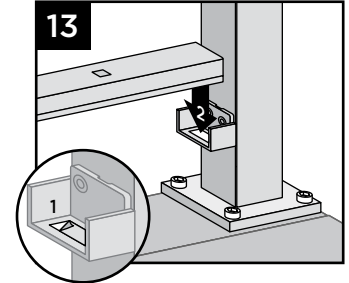
11. Place base (smaller side facing down) on decking surface. Pre-drill using a 3/16" bit. Attach base of foot block using one screw at an angle through base and into decking.

12. After attached, use a rubber mallet along with scrap piece of wood to tap foot block until it locks into place.



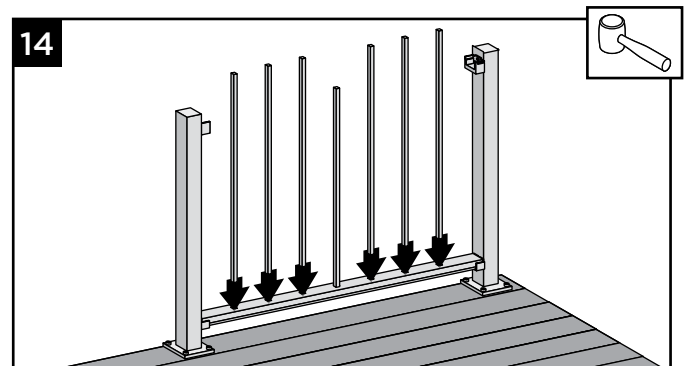
Installing Lower Rail to Brackets

13. Place adhesive strips (provided) into bottom rail brackets, and then place bottom rail into brackets.



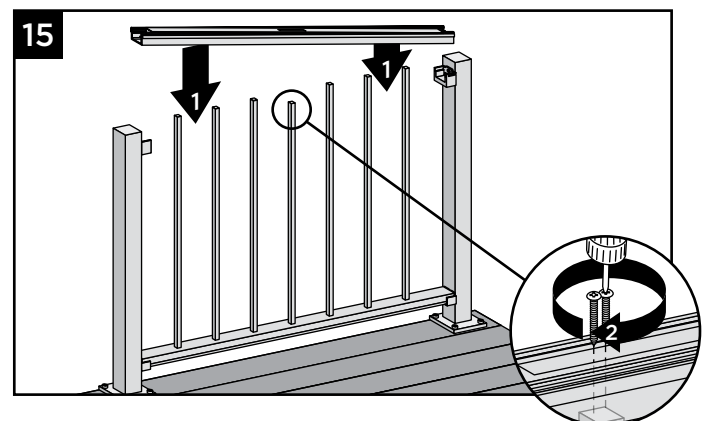
NOTE: Make sure surface is clean and dry.

Installing Remaining Balusters into Bottom Rail



14. Place remaining balusters into holes in lower rail by snapping fully into place. In some cases, **GENTLE** tapping with a **rubber mallet** may facilitate fastening.

Attach Upper Railings



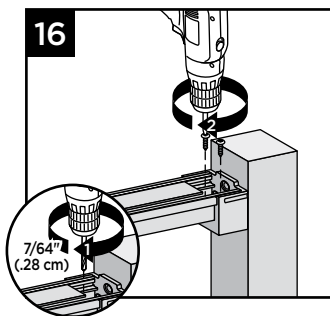
15. Working from one end of upper rail, snap balusters into upper rail working down length of rail. Fasten center baluster into center slot using two #8 x 1-1/4" (3.2 cm) screws (provided).

TREX® SIGNATURE® HORIZONTAL RAILING

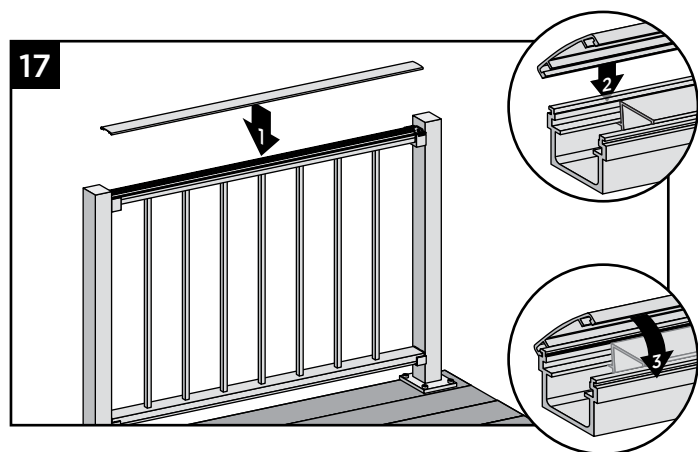
Installation Instructions

HOW TO INSTALL HORIZONTAL RAILING POST TO POST/*CONTINUED* TREX SIGNATURE

16. Using a 7/64" (0.28 cm) drill bit, pre-drill at marked location for attachment of railing to bracket. Attach upper rail to each bracket by installing screws diagonally through upper rail into bracket using two self-tapping screws each side (*provided*).

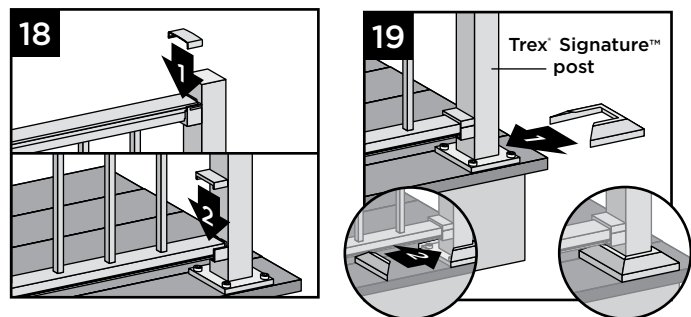


NOTE: Pre-drilling is required.

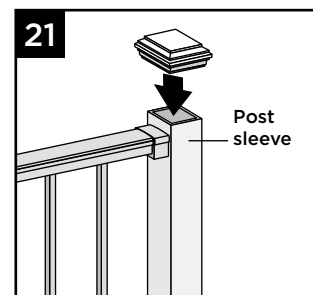
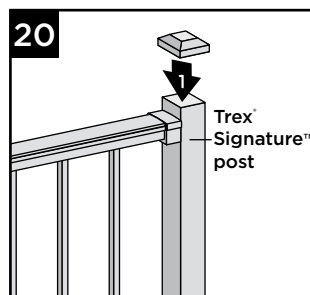


17. Attach "crowned" upper rail cover to upper rail by aligning cover on one side of rail. Then starting from one end of rail, snap cover onto opposing slot working down length of rail. **GENTLE** tapping with a **rubber mallet** may facilitate fastening.

Attachment of Bracket Covers, Skirts, and Caps



18. Attach corresponding bracket covers over opening in upper and bottom rails.
19. Attach provided post skirt to bottom of posts when using Trex Signature posts.

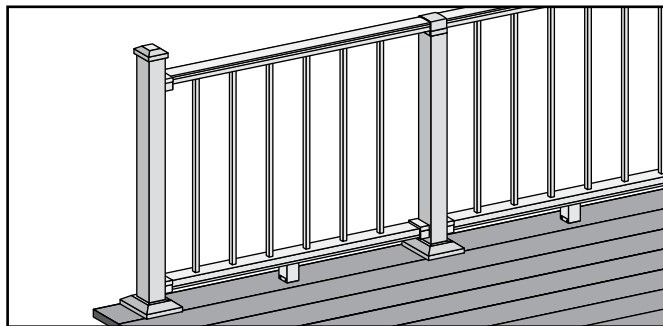


20. Attach post caps to Trex Signature posts. (Use of **rubber mallet** may be required for secure attachment.)
21. Attach post caps to post sleeves using external grade PVC construction adhesive (apply adhesive on the inside self-centering/corner tabs).

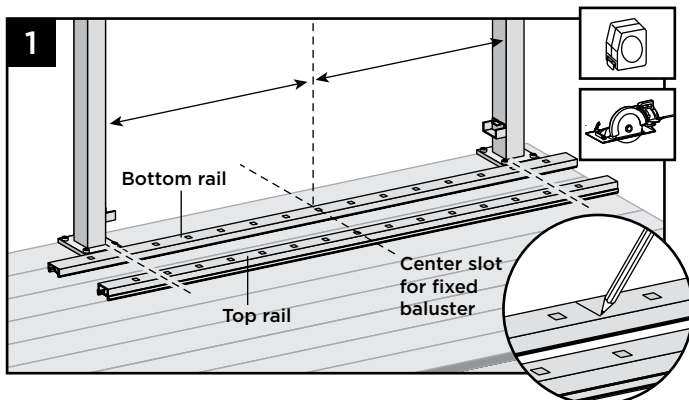
HOW TO INSTALL HORIZONTAL RAILING POST TO CROSSOVER POST TREX SIGNATURE

NOTES:

- » TREX SIGNATURE RAILINGS ARE DESIGNED TO BE ATTACHED WITH POSTS INSTALLED AT A CLEAR SPAN OF 6' (1.83 M) OR 8' (2.44 M).
- » IF INSTALLING AT EXACT SPAN LENGTHS OF 6' (1.83 M) OR 8' (2.44 M), AND USING POST-TO-CROSSOVER POST CONFIGURATION, THE BOTTOM RAIL WILL NOT NEED TO BE CUT, BUT THE TOP RAIL WILL NEED TO BE MEASURED (MAKING SURE BALUSTERS LINE UP VERTICALLY) AND CUT.
- » AT ALL FINAL END POST CONFIGURATIONS, TOP RAIL WILL NEED TO BE MEASURED (MAKING SURE BALUSTERS LINE UP VERTICALLY) AND CUT.
- » FOR ODD SPAN LENGTHS, BOTH TOP RAIL AND BOTTOM RAIL WILL NEED TO BE MEASURED (MAKING SURE BALUSTERS LINE UP VERTICALLY) AND CUT. ENSURE THAT BALUSTERS ARE SPACED WITH AN EQUAL DISTANCE ON EACH SIDE OF THE POST.
- » WHEN RAILINGS ARE CUT TO ODD SPANS, ALL SPANS GREATER THAN 5' (1.52 M) (EXAMPLE: 8' (2.44 M) SPAN CUT INTO ONE 5' (1.52 M) SPAN AND ONE 3' (0.91 M) SPAN) WOULD REQUIRE FOOT BLOCK UNDER 5' (1.52 M) SPAN SINCE SMALLER FIXED BALUSTER IS NO LONGER CENTERED.



How to Measure, Mark and Cut Bottom and Top Railings (When Required)

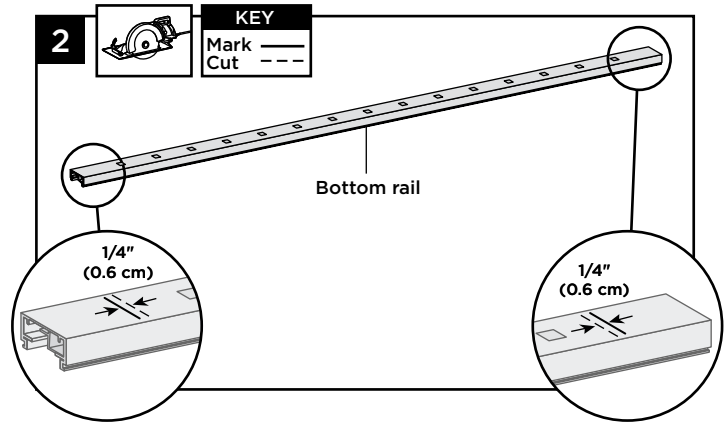


Important: DO NOT cut top rail the same length as bottom rail.

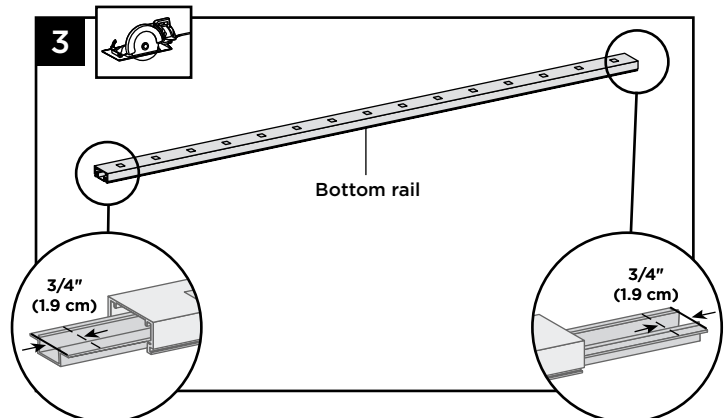
1. Position bottom and top rails between posts and align with bottom bracket. Align the center baluster slot in both rails with the middle of the span between posts.* This will allow an equal number of baluster holes on each side of center slot. Mark bottom rail and top rail at each end (ensure both rails are centered between posts).

* In some cases, due to odd railing spans, the center baluster may need to be offset in one direction to ensure there is enough room at both post locations for balusters to be placed. Review this BEFORE cutting any railings to ensure all balusters are equally spaced.

Cutting Bottom Rail and Bottom Rail Cover ONLY

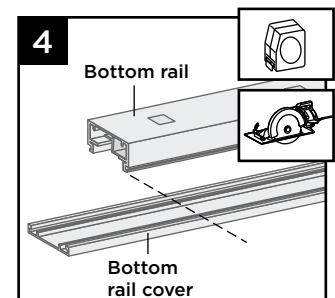


2. Cut each end of bottom rail 1/4" (0.6 cm) shorter than mark on each end to allow for fit into bottom rail brackets.



3. Slide rail insert out and cut 3/4" (1.9 cm) FROM EACH SIDE of insert, then slide back inside rail and center.

4. Mark and cut bottom rail cover the same length as bottom rail.

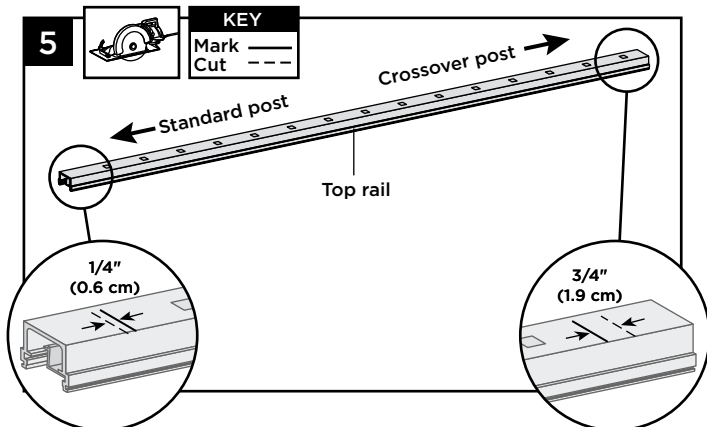


TREX® SIGNATURE® HORIZONTAL RAILING

Installation Instructions

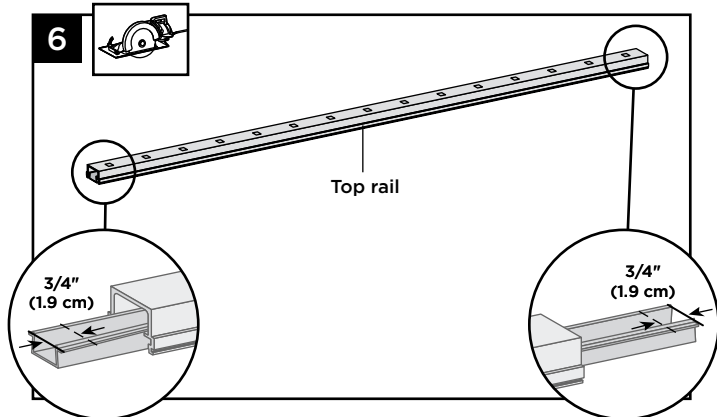
HOW TO INSTALL HORIZONTAL RAILING POST TO CROSSOVER POST/*CONTINUED* TREX SIGNATURE

Cutting Top Rail



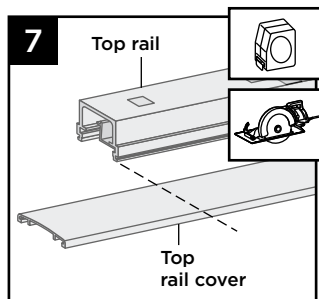
5. Top rail must be cut differently on each side of the rail. Railing side that attaches to standard post should be cut 1/4" (0.6 cm) shorter than the mark to allow for fit into top rail bracket. Railing side that attaches to the crossover post should be cut 3/4" (1.9 cm) **LONGER** than the mark to allow for fit into the crossover post bracket.

Cutting Top Rail Insert and Cover

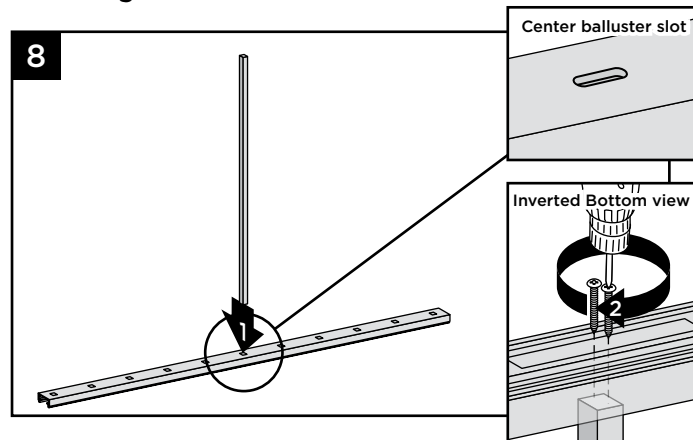


6. Slide rail insert out and cut 3/4" (1.9 cm) **FROM EACH SIDE** of insert, then slide back inside rail and center.

7. Mark and cut top rail cover same length as top rail for all top rail configurations.

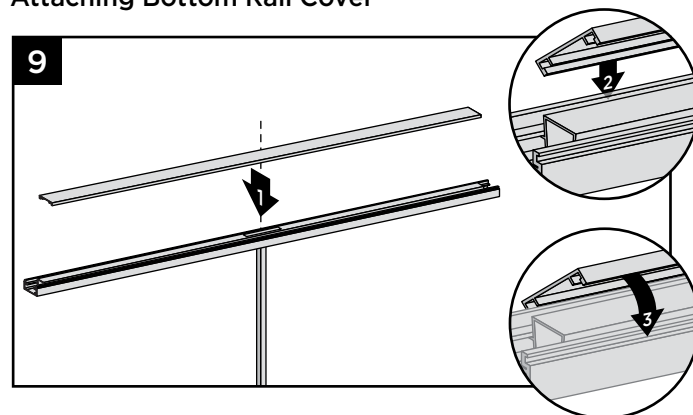


Attaching Center Baluster to Bottom Rail



8. Attach shorter, center baluster in center slot in bottom rail using two #8 x 1-1/4" (3.2 cm) screws (*provided*).

Attaching Bottom Rail Cover



9. Align flat cover on one side of bottom rail in slot on side of rail. If using tabbed brackets, the bottom rail cover will also have to be centered on bottom rail to allow for fit into tabbed bracket. Then starting from one end of rail snap cover onto opposing slot working down the length of rail. In some cases, **GENTLE** tapping with a **rubber mallet** may facilitate fastening.

10. Attaching Foot Block (when required)

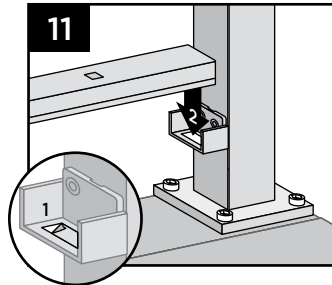
See instructions on page 7.

10

HOW TO INSTALL HORIZONTAL RAILING POST TO CROSSOVER POST/CONTINUED TREX SIGNATURE

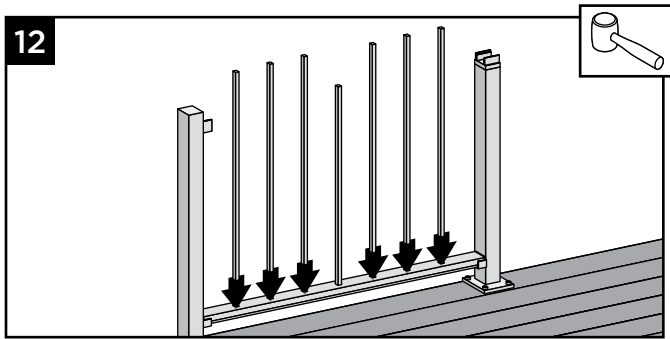
Installing Lower Rail to Brackets

11. Place adhesive strips (provided) into bottom rail brackets, and then place bottom rail into brackets (proceed to step 12).



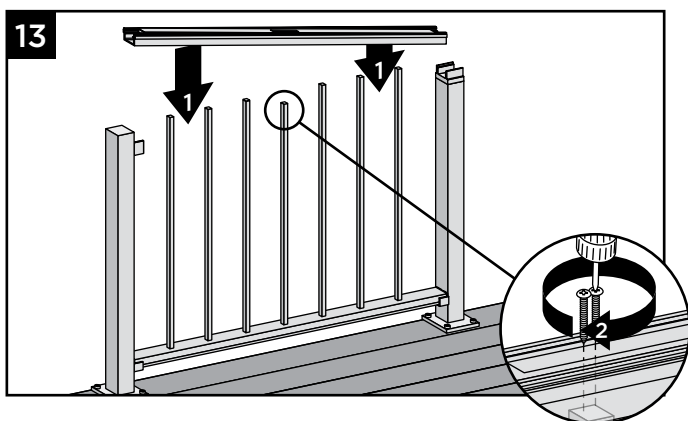
NOTE: Make sure surface is clean and dry.

Installing Remaining Balusters into Bottom Rail



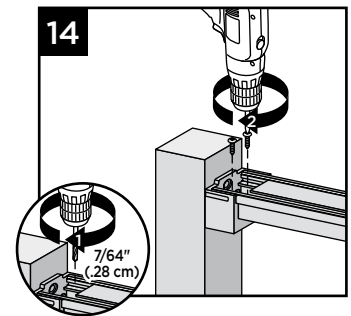
12. Place remaining balusters into holes in lower rail by snapping fully into place. In some cases, **GENTLE** tapping with a **rubber mallet** may facilitate fastening.

Attach Upper Railings



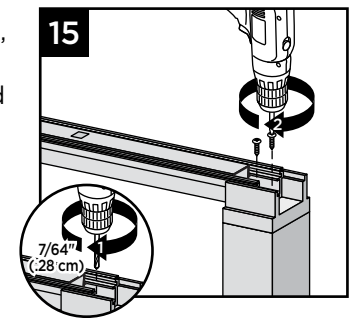
13. Working from one end of upper rail, snap balusters into upper rail working down length of rail. Fasten center baluster into center slot using two #8 x 1-1/4" (3.2 cm) screws (provided).

14. At post location, using a 7/64" (0.28 cm) drill bit, pre-drill at marked location for attachment of railing to bracket. Attach fasten upper rail to each bracket by installing screws diagonally through upper rail into bracket using two self-tapping screws each side (provided).

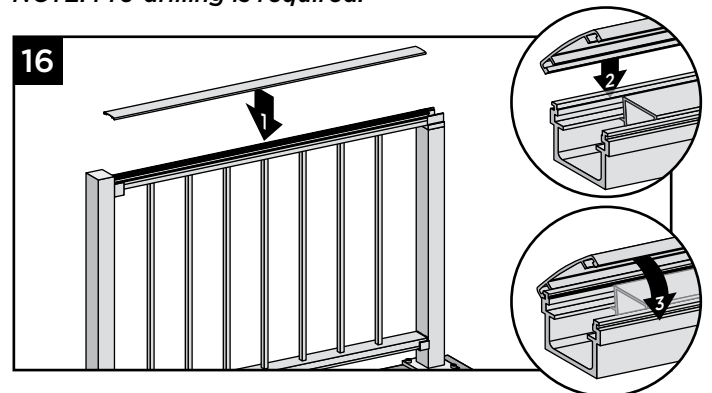


NOTE: Pre-drilling is required.

15. At crossover post location, using a 7/64" (0.28 cm) drill bit, pre-drill at marked location for attachment of railing to crossover post bracket. Attach fasten upper rail to crossover post bracket by installing screws diagonally through upper rail into post using two self-tapping screws each side (provided).



NOTE: Pre-drilling is required.



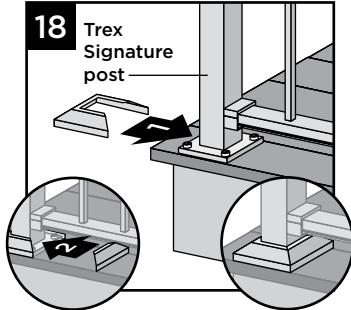
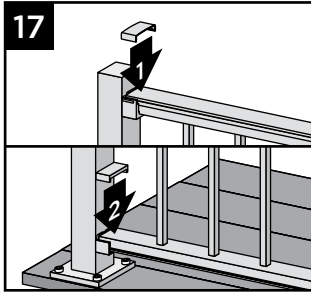
16. Attach "crowned" upper rail cover to upper rail by aligning cover on one side of rail. Then starting from one end of rail, snap cover onto opposing slot working down length of rail. In some cases, **GENTLE** tapping with a **rubber mallet** may facilitate fastening.

TREX® SIGNATURE® HORIZONTAL RAILING

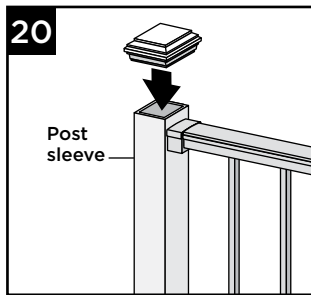
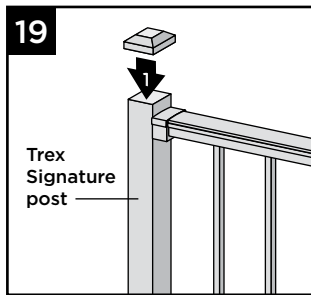
Installation Instructions

HOW TO INSTALL HORIZONTAL RAILING POST TO CROSSOVER POST/**CONTINUED** TREX SIGNATURE

Attachment of Bracket Covers, Skirts, and Caps

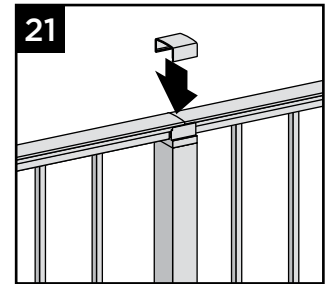


17. Attach corresponding bracket covers over opening in upper and bottom rails.
18. Attach provided post skirt to bottom of posts when using Trex Signature posts.



19. Attach post caps to Trex Signature posts. (Use of **rubber mallet** may be required for secure attachment).
20. Attach post caps to post sleeves using external grade PVC construction adhesive (apply adhesive on the inside self-centering corner tabs).

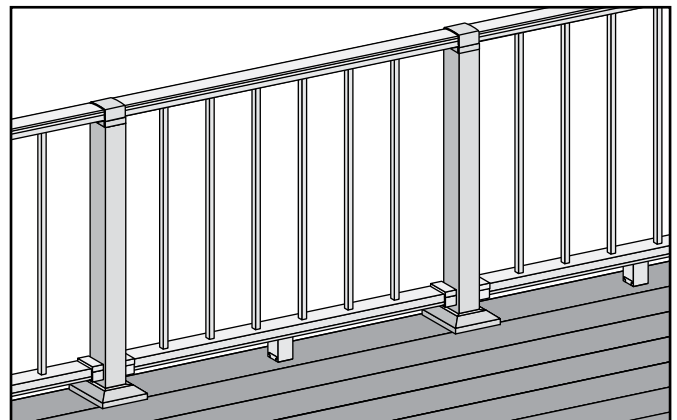
21. For crossover post configuration, attach crossover post cap to crossover post.



HOW TO INSTALL HORIZONTAL RAILING CROSSOVER POST TO CROSSOVER POST-TREX SIGNATURE STANDARD

NOTES:

- » TREX SIGNATURE RAILINGS ARE DESIGNED TO BE ATTACHED WITH POSTS INSTALLED AT A CLEAR SPAN OF 6' (1.83 M) OR 8' (2.44 M).
- » IF INSTALLING AT EXACT SPAN LENGTHS OF 6' (1.83 M) OR 8' (2.44 M), AND USING POST-TO-CROSSOVER POST CONFIGURATION, THE BOTTOM RAIL WILL NOT NEED TO BE CUT, BUT THE TOP RAIL WILL NEED TO BE MEASURED (MAKING SURE BALUSTERS LINE UP VERTICALLY) AND CUT.
- » FOR ODD SPAN LENGTHS, BOTH TOP RAIL AND BOTTOM RAIL WILL NEED TO BE MEASURED (MAKING SURE BALUSTERS LINE UP VERTICALLY) AND CUT. ENSURE THAT BALUSTERS ARE SPACED WITH AN EQUAL DISTANCE ON EACH SIDE OF THE POST.
- » WHEN RAILINGS ARE CUT TO ODD SPANS, ALL SPANS GREATER THAN 5' (1.52 M) (EXAMPLE: 8' (2.44 M) SPAN CUT INTO ONE 5' (1.52 M) SPAN AND ONE 3' (0.91 M) SPAN) WOULD REQUIRE FOOT BLOCK UNDER 5' (1.52 M) SPAN SINCE SMALLER FIXED BALUSTER IS NO LONGER CENTERED.

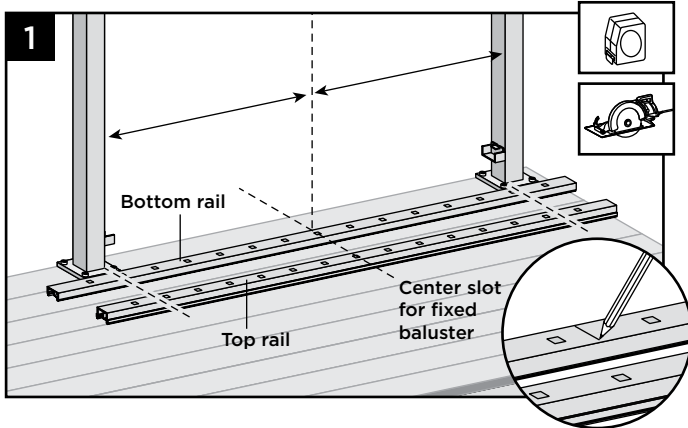


12

HOW TO INSTALL HORIZONTAL RAILING CROSSOVER POST TO CROSSOVER POST/CONTINUED - TREX SIGNATURE STANDARD

How to Measure, Mark and Cut Bottom and Top Railings (When Required)

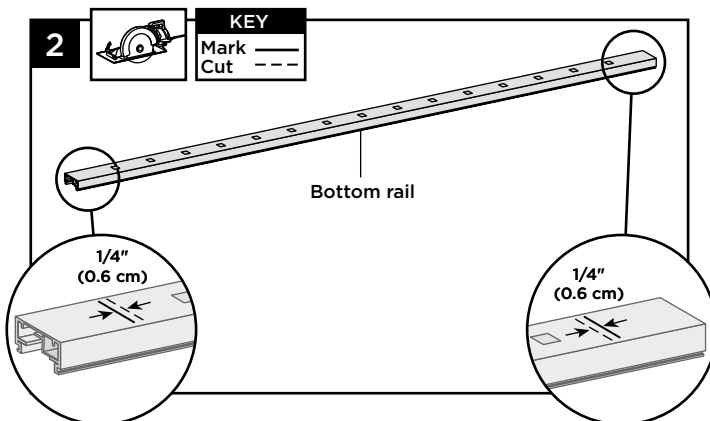
Important: DO NOT cut top rail the same length as bottom rail.



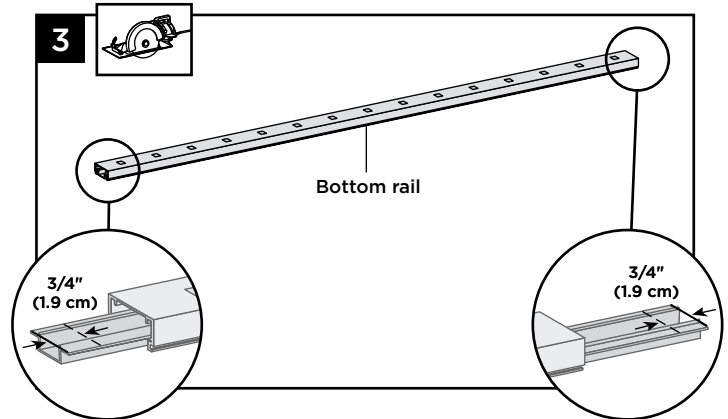
1. Position bottom and top rails between posts and align with bottom bracket. Align the center baluster slot in both rails with the middle of the span between posts.* This will allow an equal number of baluster holes on each side of center slot. Mark bottom rail and top rail at each end (ensure both rails are centered between posts).

* In some cases, due to odd railing spans, the center baluster may need to be offset in one direction to ensure there is enough room at both post locations for balusters to be placed. Review this **BEFORE** cutting any railings to ensure all balusters are equally spaced.

Cutting Bottom Rail and Bottom Rail Cover ONLY

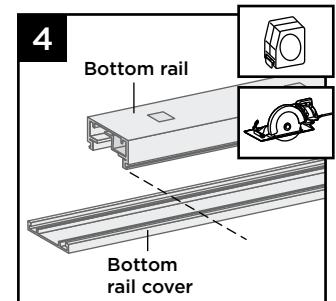


2. Cut each end of bottom rail 1/4" (0.6 cm) shorter than mark on each end to allow for fit into bottom rail brackets.

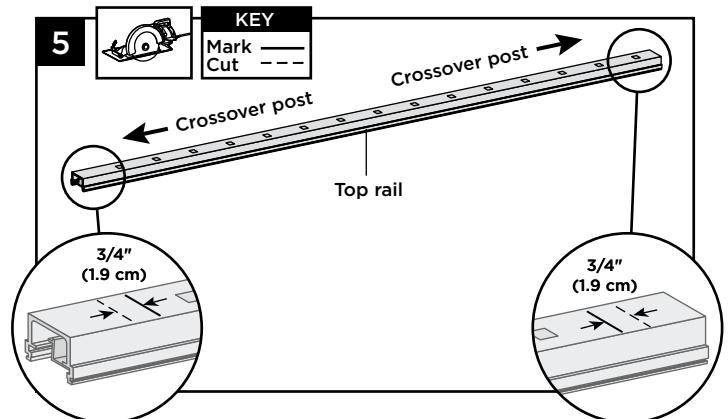


3. Slide rail insert out and cut 3/4" (1.9 cm) **FROM EACH SIDE** of insert, then slide back inside rail and center.

4. Mark and cut bottom rail cover the same length as bottom rail.



Cutting Top Rail



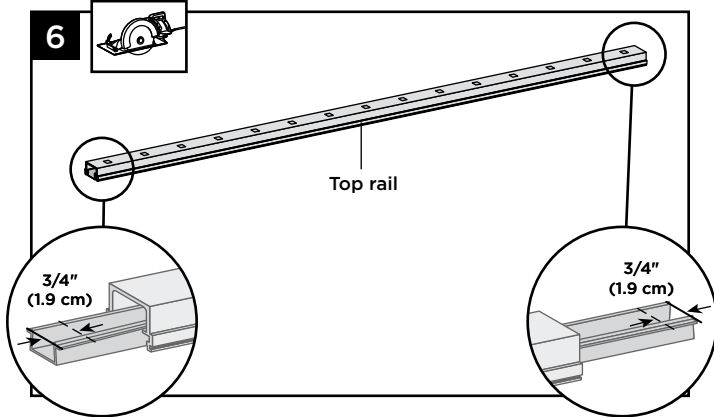
5. Cut each end of top rail 3/4" (1.9 cm) **LONGER** than the mark to allow for fit into the crossover post bracket on each side.

TREX® SIGNATURE® HORIZONTAL RAILING

Installation Instructions

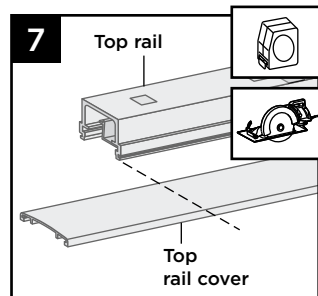
HOW TO INSTALL HORIZONTAL RAILING CROSSOVER POST TO CROSSOVER POST/ POST/CONTINUED - TREX SIGNATURE STANDARD

Cutting Top Rail Insert and Cover

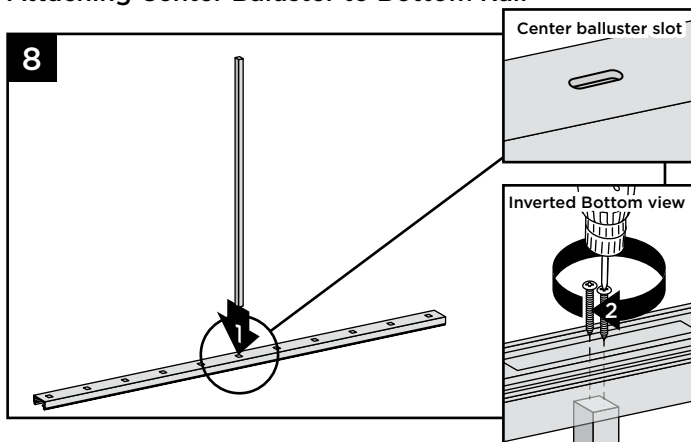


6. Slide rail insert out and cut 3/4" (1.9 cm) **FROM EACH SIDE** of insert, then slide back inside rail and center.

7. Mark and cut top rail cover same length as top rail for all top rail configurations.

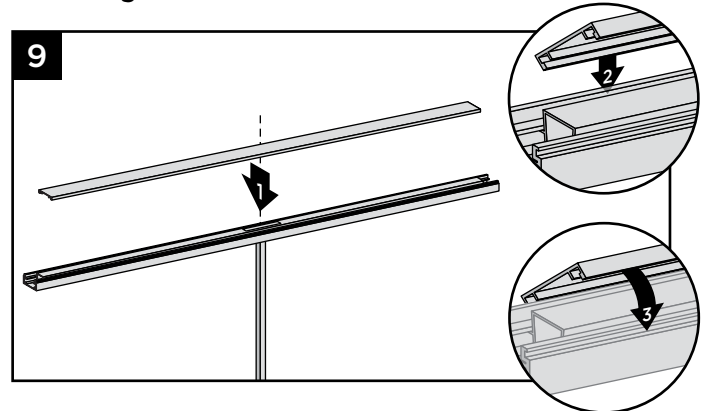


Attaching Center Baluster to Bottom Rail



8. Attach shorter, center baluster in center slot in bottom rail using two #8 x 1-1/4" (3.2 cm) screws (*provided*).

Attaching Bottom Rail Cover



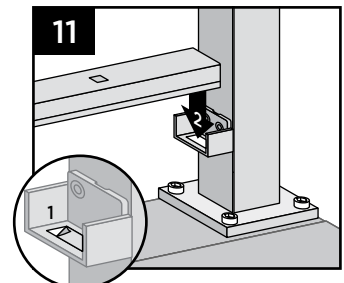
9. Align flat cover on one side of bottom rail in slot on side of rail. Then starting from one end of rail snap cover onto opposing slot working down the length of rail. In some cases, **GENTLE** tapping with a **rubber mallet** may facilitate fastening.

10. Attaching Foot Block (when required)

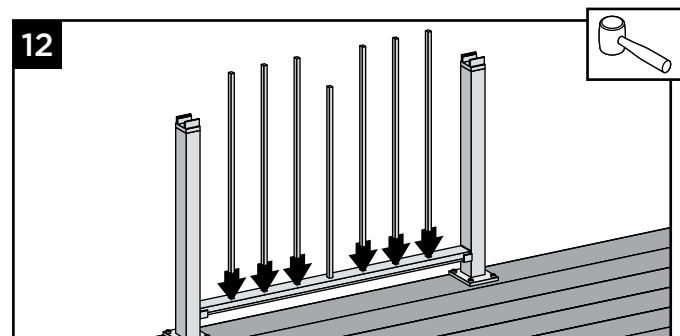
See instructions on page 7.

Installing Lower Rail to Brackets

11. Place adhesive strips (provided) into bottom rail brackets, and then place bottom rail into brackets (proceed to step 12).



NOTE: Make sure surface is clean and dry.

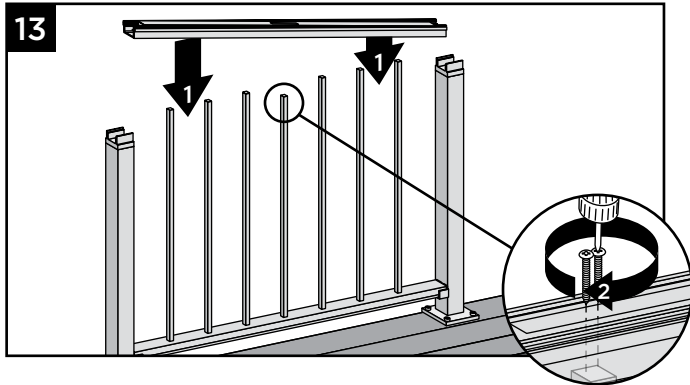


Installing Remaining Balusters into Bottom Rail

12. Place remaining balusters into holes in lower rail by snapping fully into place. In some cases, **GENTLE** tapping with a **rubber mallet** may facilitate fastening.

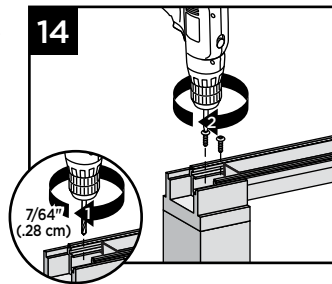
HOW TO INSTALL HORIZONTAL RAILING CROSSOVER POST TO CROSSOVER POST/CONTINUED - TREX SIGNATURE STANDARD

Attach Upper Railings

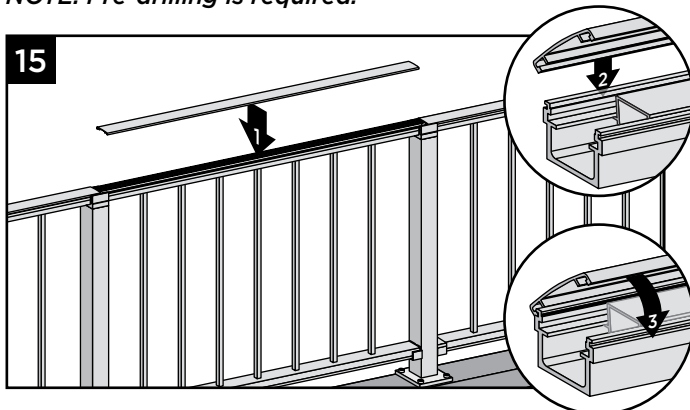


13. Working from one end of upper rail, snap balusters into upper rail working down length of rail. Fasten center baluster into center slot using two #8 x 1-1/4" (3.2 cm) screws (*provided*).

14. At crossover post locations using a 7/64" (0.28 cm) drill bit, predrill at marked location for attachment of railing to crossover post bracket. Attach fasten upper rail to crossover post by installing screws diagonally through upper rail into post using two self-tapping screws each side (*provided*).

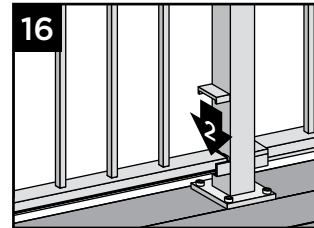


NOTE: Pre-drilling is required.

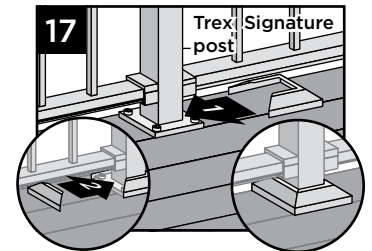


15. Attach "crowned" upper rail cover to upper rail by aligning cover on one side of rail. Then starting from one end of rail, snap cover onto opposing slot working down length of rail. **GENTLE** tapping with a **rubber mallet** may facilitate fastening.

Attachment of Bracket Covers, Skirts, and Caps

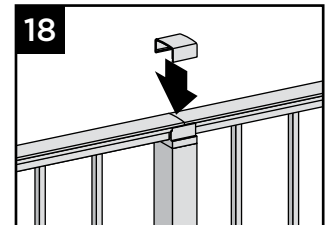


16. Attach corresponding bracket covers over opening in bottom rails.



17. Attach provided post skirt to bottom of posts when using Trex Signature posts.

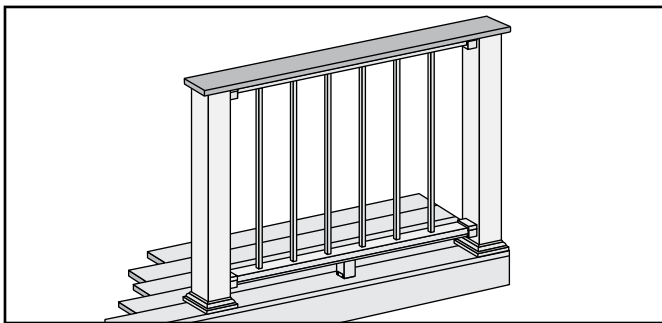
18. Attach crossover post cap to crossover post.



TREX® SIGNATURE® HORIZONTAL RAILING

Installation Instructions

HOW TO INSTALL COCKTAIL RAILING TREX SIGNATURE

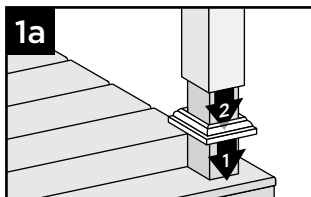


Important: ONLY for use with pressure treated 4 x 4 post (3.5" nominal square) and 4" x 4" (102 mm x 102 mm) post sleeve. Trex Signature posts, Trex post mounts or joist mount posts cannot be used with Trex Signature Cocktail railing. Cutting post and post sleeve ONLY apply to the Cocktail style railing.

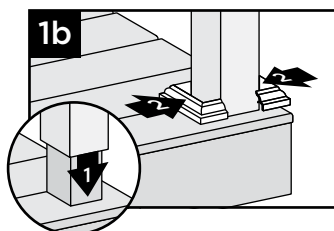
Installing Pressure treated Posts, Post Sleeves, and Skirts to Use with Trex Signature Railing

NOTE: PLEASE REFER TO LOCAL BUILDING CODE REQUIREMENTS PRIOR TO ATTACHING PRESSURE TREATED POSTS.

1a. If using a 1-piece skirt, slide post sleeve skirt over post and down to rest on decking surface. Slide post sleeve over post and position inside post sleeve skirt.



1b. If using a two-piece skirt Slide post sleeve over post and down to rest on decking surface. Snap two piece skirt over post sleeve.

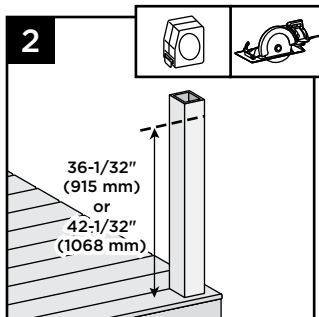


NOTE: Shims can be used to plumb post sleeves.

Cutting Post and Post Sleeve

2. Mark and cut post and post sleeve measuring from deck surface:

- » 36-1/32" (915 mm) for 36" (914 mm) height.
- » 42-1/32" (1068 mm) for 42" (1067 mm) height.



3. **Installing Horizontal Fixed Brackets**
See instructions on page 4.

4. **Installing Horizontal Swivel Brackets**
See instructions on page 18.

5. **Cutting Railings for Horizontal Fixed Brackets**
See instructions on page 5.

6. **Cutting Railings for Horizontal Swivel Brackets**
See instructions on page 19.

7. **Attaching Center Baluster to Bottom Rail**
See instructions on page 6.

8. **Attaching Foot Block (when required)**
See instructions on page 7.

9. **Attaching Bottom Rail Cover and Bottom Rail to Brackets**
See instructions on page 7.

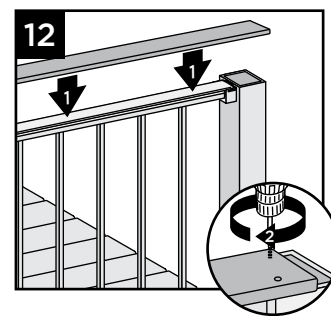
10. **Installing Remaining Balusters into Bottom Rail**
See instructions on page 7.

11. **Attaching Top Rail and Top Rail Cover**
See instructions on page 7.

NOTE: Top Bracket Covers are not attached in this configuration.

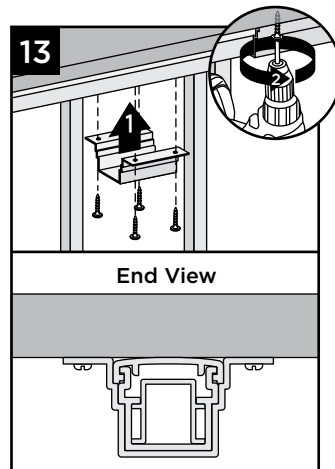
Attaching Deck Board to Top Rail

12. Place deck boards (**DO NOT** use Enhance deck boards for top rail) over top rails. Attach boards on each post with Trex-recommended composite screws (quantity of 2 per each board end).



HOW TO INSTALL COCKTAIL RAILING/CONTINUED TREX SIGNATURE

13. Secure boards to top rail using Trex Signature Cocktail Bracket (sold separately). Ensure that there is a bracket at each end of the railing section, then space brackets approximately every 24" and attach with 4 screws provided.

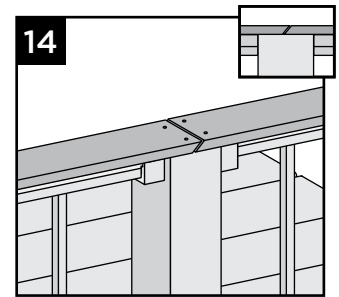


NOTE: *Pre-drilling before attachment is recommended.*

14. Use scarf cut for posts where two deck boards meet.

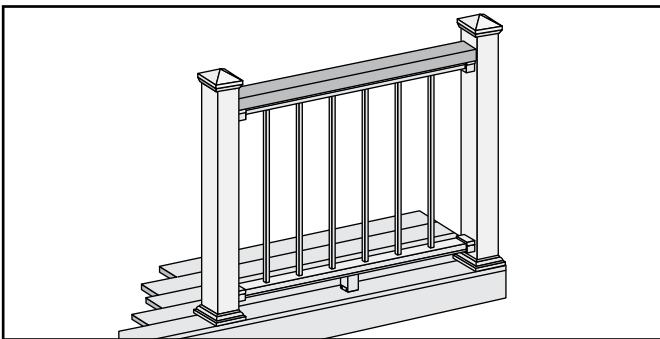
NOTES:

- » Leave 1/8" (3 mm) gap between deck boards.
- » Deck boards can overhang end of last post maximum 1/2" (13 mm).



15. **Attachment of Bottom Bracket Covers and Skirts**
See instructions on page 8.

HOW TO INSTALL SIGNATURE TRADITIONAL RAILING TREX SIGNATURE



Important: ONLY use with Pressure-treated post, Trex Post Mounts or Trex Joist Mount Post WITH Trex post sleeves. Trex Signature Posts or Joist Mount Posts cannot be used with Trex Signature Traditional railing.

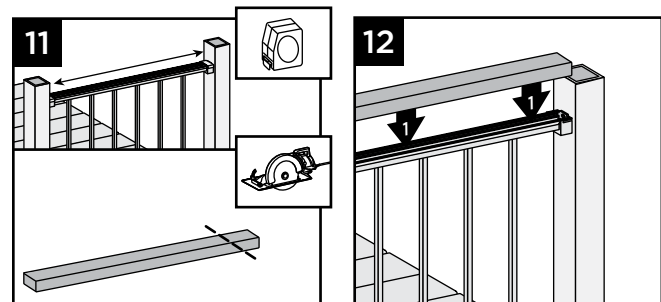
1. **Installing Posts, Post Sleeve Skirts and Post Sleeves**
See instructions on page 16 for pressure treated posts. Refer to detailed Trex Post Mount instructions if using these. Post and Post Sleeves are NOT CUT in this installation.
2. **Installing Horizontal Fixed Brackets**
See instructions on page 4.
3. **Installing Horizontal Swivel Brackets**
See instructions on page 18.
4. **Cutting Railings for Horizontal Fixed Brackets**
See instructions on page 5
5. **Cutting Railings for Horizontal Swivel Brackets**
See instructions on page 19.

6. **Attaching Center Baluster to Bottom Rail**
See instructions on page 6.
7. **Attaching Foot Block (when required)**
See instructions on page 7.
8. **Attaching Bottom Rail Cover and Bottom Rail to Brackets**
See instructions on page 7.
9. **Installing Remaining Balusters into Bottom Rail**
See instructions on page 7.
10. **Attaching Top Rail and Top Rail Cover**
See instructions on page 7.

NOTE: *Top Bracket Covers are not attached in this configuration.*

Attaching 2 x 4 to Top Rail

11. Measure between posts and cut 2 x 4 to length.



12. Place 2 x 4 on Signature top rail.

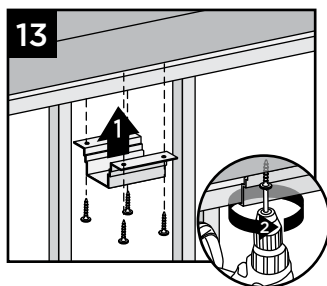
TREX® SIGNATURE® HORIZONTAL RAILING

Installation Instructions

HOW TO INSTALL SIGNATURE TRADITIONAL RAILING/CONTINUED

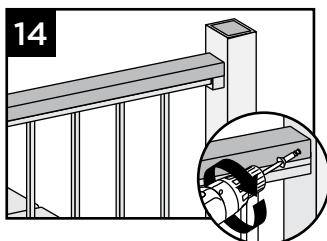
TREX SIGNATURE

13. Secure 2 x 4 to top rail using Trex Signature Cocktail Bracket (sold separately). Ensure that there is a bracket at each end of the railing section, then space brackets approximately every 24" and attach with 4 screws provided.



NOTE: Predrilling before attachment is recommended.

14. Pre-drill a pilot hole and toenail 2-1/2" (6.4 cm) screw at each end of 2 x 4 into post on back side of rail (side not facing decking). If using a Trex Post Mount or Joist Mount Post with Trex post sleeves, It is not a requirement to toenail the 2x4 into the post, however if this is done predrill a hole and use a 304SS screw (not provided), that will penetrate through the aluminum sleeve.



15. Attachment of Bottom Rail Bracket Covers and Caps

See instructions on page 8.

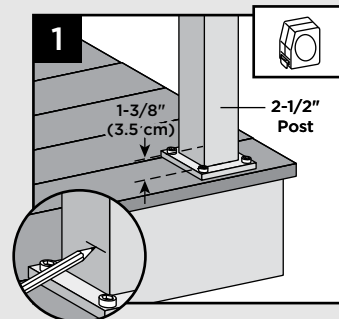
INSTALLATION OF HORIZONTAL SWIVEL BRACKETS

TREX SIGNATURE STANDARD

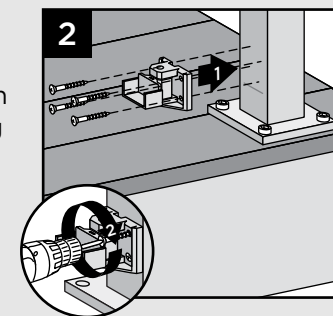
Attach Swivel Brackets Base Using Trex Signature Posts

TIP: Use a clamp to help hold brackets in place while fastening with screws.

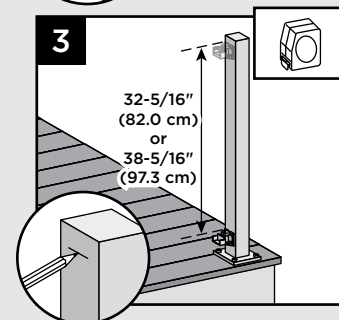
1. Measure 1-3/8" (3.5 cm) from top of post base plate or 1-7/8" (4.8 cm) from decking surface. Mark with light line.



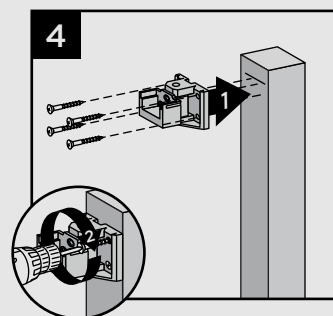
2. Center lower bracket on post **above** the marked line and attach using four self-tapping screws (provided).



3. Measure up 32-5/16" (82.0 cm) for 36" (91.4 cm) tall railing or 38-5/16" (97.3 cm) for 42" (106.7 cm) tall railing from top of lower rail bracket. Mark with a light line.



4. Center upper bracket on post **below** marked line and attach using four self-tapping screws (provided).



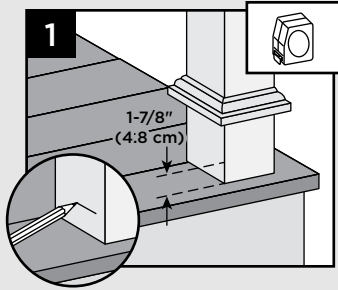
NOTE: Upper bracket is not required on crossover post configuration.

INSTALLATION OF HORIZONTAL SWIVEL BRACKETS/CONTINUED TREX SIGNATURE STANDARD

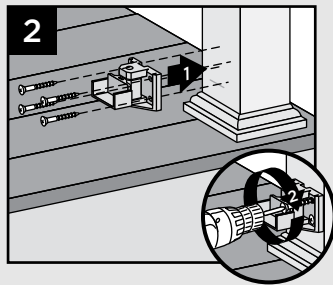
Attach Swivel Brackets Using Pressure-treated Posts and Post Sleeves

TIP: Use a clamp to help hold brackets in place while fastening with screws.

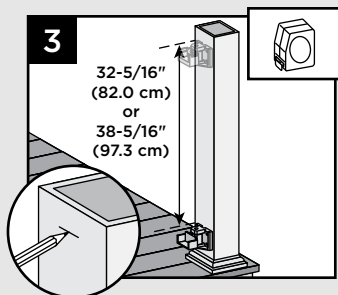
1. Measure 1-7/8" (4.8 cm) up from deck surface to bottom of bracket. Slide skirt up to allow for proper measurement, then push skirt back down onto surface of decking **BEFORE ATTACHING BRACKET**. Mark with light line.



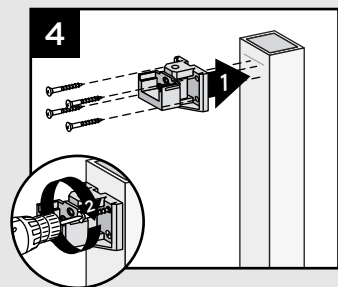
2. Center lower bracket on post **above** the marked line and attach using four 2" (5.1 cm) wood screws (provided).



3. Measure up 32-5/16" (82.0 cm) for 36" (91.4 cm) tall railing or 38-5/16" (97.3 cm) for 42" (106.7 cm) tall railing from top of lower rail bracket. Mark with a light line.



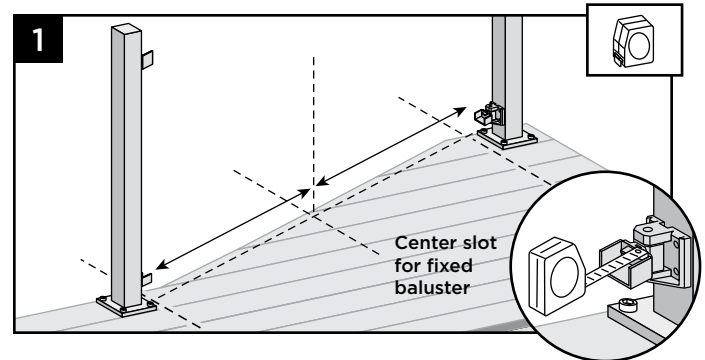
4. Center upper bracket on post **below** marked line and attach using four 2" (5.1 cm) wood screws (provided).



INSTALLATION OF HORIZONTAL SWIVEL RAILING TREX SIGNATURE STANDARD

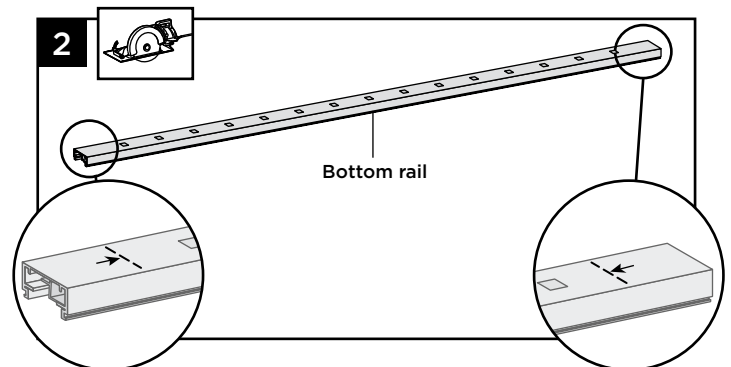
- » WHEN USING TREX SIGNATURE HORIZONTAL SWIVEL BRACKETS, BOTH BOTTOM AND TOP RAILS WILL NEED TO BE MEASURED AND CUT TO APPROPRIATE LENGTHS.
- » HORIZONTAL SWIVEL BRACKETS CAN BE USED UP TO A 50° ANGLE FOR TREX SIGNATURE RAILINGS.
- » WHEN USING HORIZONTAL SWIVEL BRACKETS VERY IMPORTANT TO LAY OUT LOCATION AND ORIENTATION OF POSTS AND SWIVEL BRACKETS BEFORE INSTALLING SWIVEL BRACKETS.
- » WHEN RAILINGS ARE CUT TO ODD SPANS, ALL SPANS GREATER THAN 5' (1.52 M) (EXAMPLE: 8' (2.44 M) SPAN CUT INTO ONE 5' (1.52 M) SPAN AND ONE 3' (0.91 M) SPAN) WOULD REQUIRE FOOT BLOCK UNDER 5' (1.52 M) SPAN SINCE SMALLER FIXED BALUSTER IS NO LONGER CENTERED.

How to Measure and Cut Bottom and Top Railings



1. With brackets in correct swivel location, measure distance from inside of bracket to inside of bracket. ENSURE THAT BEFORE CUTTING, BALUSTERS HOLES ON BOTH BOTTOM AND TOP RAIL LINE UP. ALSO MAKE SURE CENTER BALUSTER SLOT IS AS CLOSE TO THE MIDDLE OF THE SPAN AS POSSIBLE. In some cases, due to odd railing spans, the center baluster may need to be offset in one or the other direction to ensure there is enough room at both post locations for balusters to be placed.

Cutting Bottom Rail and Bottom Rail Cover



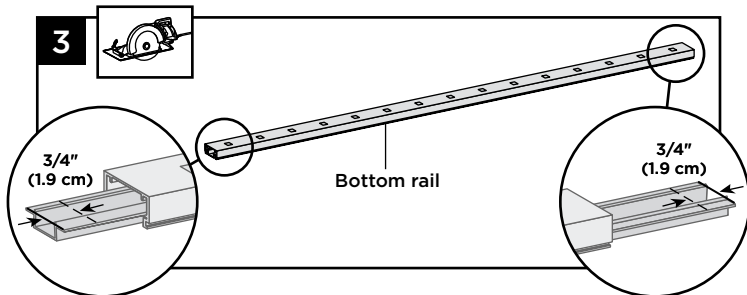
2. Cut bottom rail to the measurement between the bottom swivel brackets.

TREX® SIGNATURE® HORIZONTAL RAILING

Installation Instructions

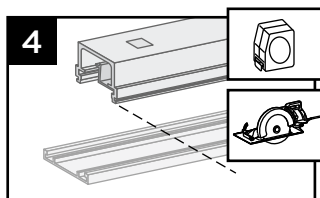
INSTALLATION OF HORIZONTAL SWIVEL RAILING

TREX SIGNATURE STANDARD/CONTINUED



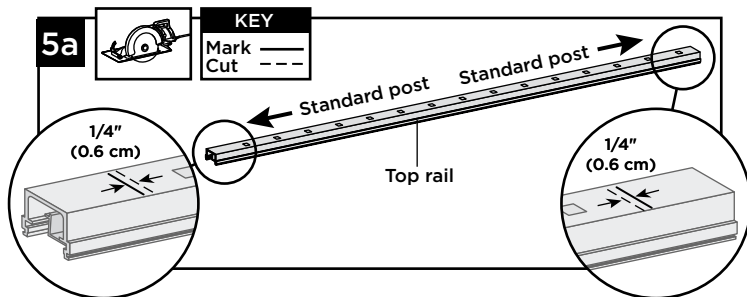
3. Slide rail insert out and cut 3/4" (1.9 cm) **FROM EACH SIDE** of insert, then slide back inside rail and center.

4. Mark and cut bottom rail cover the same size as bottom rail.



Cutting Top Rail

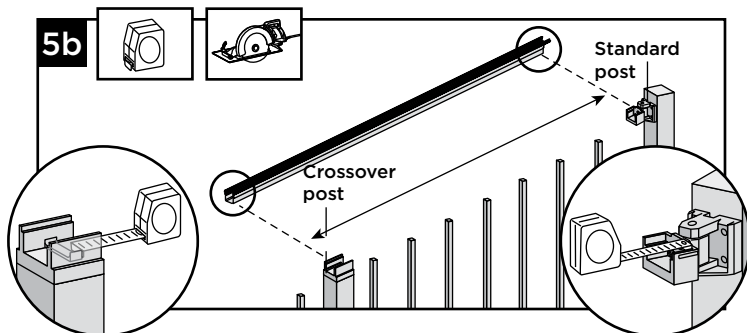
Option 1: For Post-to-Post Configuration



5a. Cut top rail to the measurement between the top swivel brackets. For standard post-to-standard post configurations this would be same dimensions as that of the bottom rail.

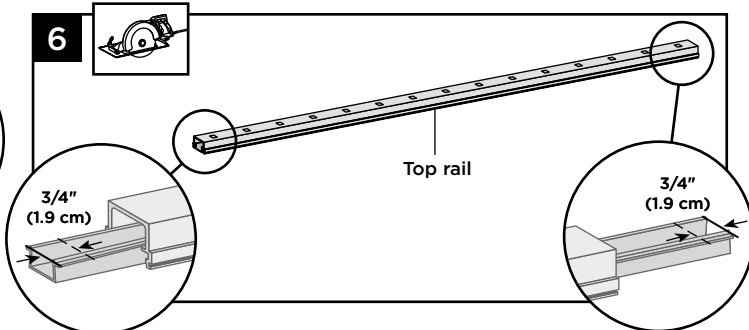
Cutting Top Rail

Option 2: For Post-to-Crossover Post Configuration



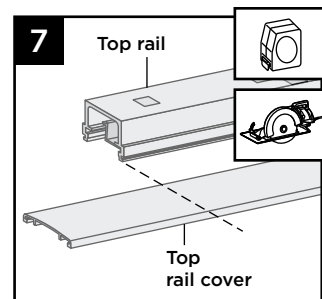
5b. When going from standard-post to crossover post, measurement must be taken from inside of top horizontal swivel bracket to inside lip of crossover bracket (which is attached to top of crossover post).

Cutting Top Rail Insert and Cover



6. Slide rail insert out and cut 3/4" (1.9 cm) **FROM EACH SIDE** of insert, then slide back inside rail and center.

7. Mark and cut top rail cover same length as top rail for all top rail configurations.



8. Attaching Center Baluster to Bottom Rail

See instructions on page 6—Post-to-Post or 10—Post-to-Crossover Post.

9. Attaching Foot Block (when required)

See instructions on page 7.

10. Attaching Bottom Rail Cover and Bottom Rail to Brackets

See instructions on page 7 Post-to-Post or page 11 Post-to-Crossover Post.

11. Installing Remaining Balusters into Bottom Rail

See instructions on page 7 Post-to-Post or 11 Post-to-Crossover Post.

12. Attach Upper Railings

See instructions on page 7 Post-to-Post or page 11 Post-to-Crossover Post.

13. Attachment of Bracket Covers, Skirts, and Caps

See instructions on page 8 Post-to-Post or page 11 Post-to-Crossover Post.