

LOCATION AND INSTALLATION OF SURFACE MOUNT POST - DECKING

IMPORTANT NOTES:

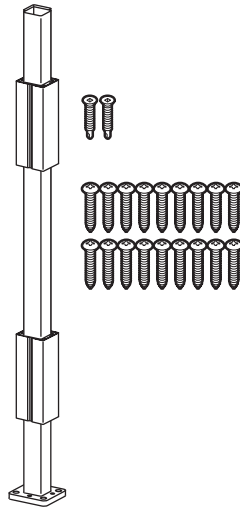
- » EACH POST MUST BE ATTACHED AS SHOWN TO ENSURE A CODE COMPLIANT AND SAFE INSTALLATION.
- » ALWAYS REFER TO YOUR LOCAL BUILDING CODE OFFICIAL PRIOR TO INSTALLING ANY RAILING SYSTEM TO ENSURE ALL CODE AND SAFETY REQUIREMENTS ARE MET. TREX® CANNOT BE HELD RESPONSIBLE FOR IMPROPER OR NON-RECOMMENDED INSTALLATIONS.
- » WHEN INSTALLING TREX POST MOUNTS ON ACQ OR CCA SURFACES, USE AN APPROPRIATE ISOLATION BARRIER BETWEEN POST AND SURFACE (CONTACT LOCAL BUILDING CODE OFFICIAL IF NEEDED).
- » ENSURE THAT CORRECT SKU HARDWARE IS ORDERED FOR THE TYPE OF RAILING BEING INSTALLED.
- » CANNOT BE USED WITH TREX TRANSCEND COCKTAIL RAILING.

TOOLS AND MATERIALS NEEDED

- » Drill and/or screw gun
- » 1/2" (1.27 cm) drill bit for wood
- » Blocking - 2" x 8" (5.1 cm x 20.3 cm) pressure-treated Southern Yellow Pine or equivalent
- » Qty: 36 (per post) - 3" pressure-treated compatible wood screws

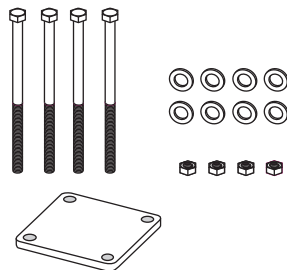
PARTS

- » (1) Post mount
- » (2) Guide blocks
- » (18) #8-15 x 1-1/4" (3.2 cm) screws
- » (2) 10 x 1" (2.5 cm) Self-tapping screws



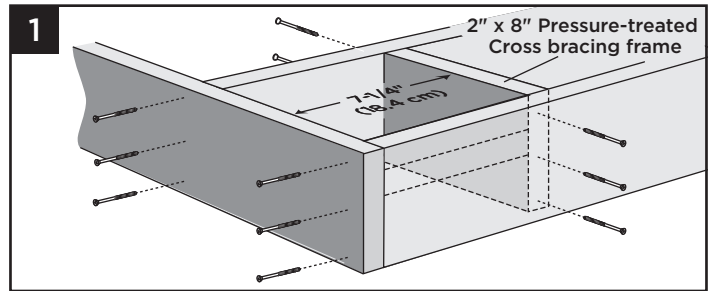
SKU ALPOSTHWDECK (this SKU SOLD SEPARATELY and must be used for code-approved applications)

- » (4) 3/8" x 6" (1 cm x 15.2 cm) Hex cap bolts
- » (1) Back plate
- » (8) Flat washers
- » (4) Hex nuts

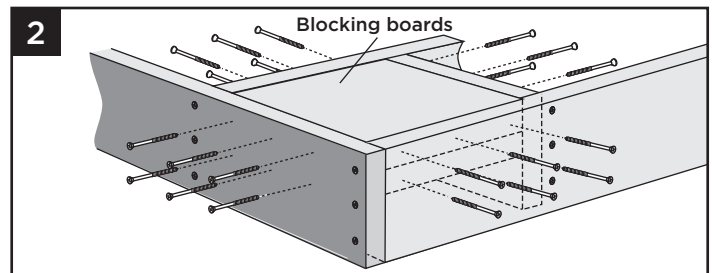


Installing Post Mounts on Pressure-treated Wood Framing

Corner Post Installation



1. Install 2" x 8" (5.1 cm x 20.3 cm) cross bracing frame in between joists at 7-1/4" (18.4 cm). Attach a total of twelve 3" (7.6 cm) pressure-treated compatible screws (not provided).

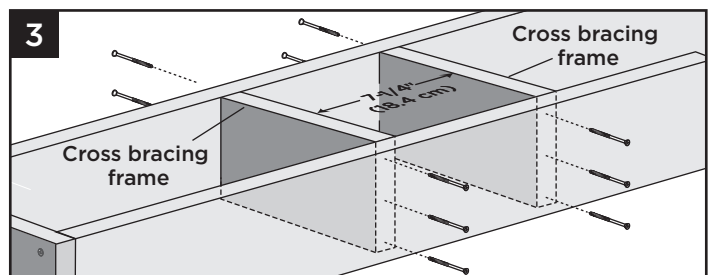


2. Install two 2" x 8" (5.1 cm x 20.3 cm) boards as blocking under post location. Securely attach blocking using a total of twenty-four 3" (7.6 cm) pressure-treated compatible screws (not provided).

NOTE: TO ENSURE THE BLOCKING IS FULLY SECURE, USE THE AMOUNT OF SCREWS INDICATED ABOVE.

TIP: USE TWO ADDITIONAL SCREWS TO "SANDWICH" BLOCKING BOARDS TOGETHER FOR EASIER ATTACHMENT TO FRAMING.

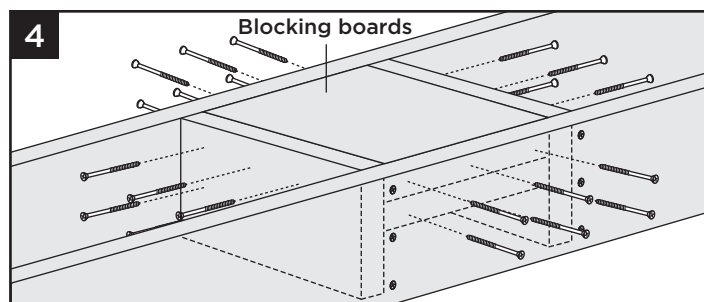
Line Post Installation



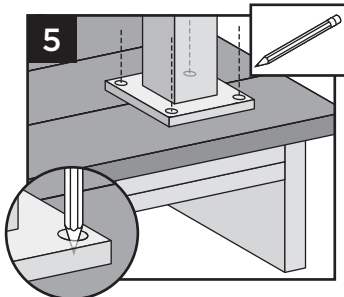
3. Install two 2" x 8" (5.1 cm x 20.3 cm) cross bracing frames in between joists at 7-1/4" (18.4 cm). Attach a total of twelve 3" (7.6 cm) pressure-treated compatible screws (not provided).

TREX® POST MOUNT - DECKING AND CONCRETE

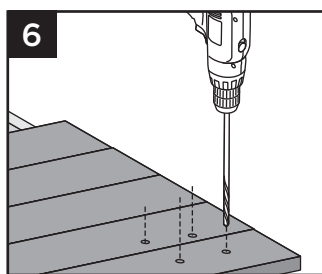
LOCATION AND INSTALLATION OF SURFACE MOUNT POST - DECKING/ CONTINUED



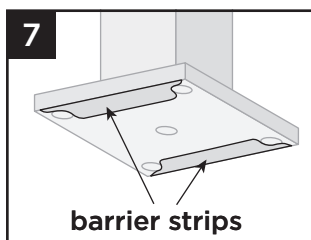
4. Install two 2" x 8" (5.1 cm x 20.3 cm) boards as blocking under post location. Securely attach blocking using a total of twenty-four 3" (7.6 cm) pressure-treated compatible screws (*not provided*).



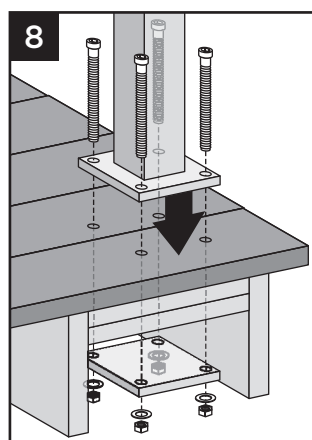
5. Using post as a template, mark locations of holes.
6. Drill through decking and blocking boards using 5/8" diameter bit (long drill bit will be required).



7. Insert (2) stainless steel barrier strips (not provided) under the mounting bolt holes. **BARRIER STRIPS ARE REQUIRED ONLY IF ATTACHING POST DIRECTLY TO PRESSURE-TREATED FRAMING** (these can be purchased on ShopTrex.com).



8. Attach posts using four 3/8" x 6" (1 cm x 15.2 cm) hex cap bolts, washers, and nuts, along with aluminum back plate on underside of blocking. If the project requires IRC compliance, this back plate **MUST** be installed under the decking to ensure this will meet code compliance. Reference SKU part number ALPOSTHWDECK for required hardware and aluminum plate. (Consult local code official for more information on IRC Compliance.)



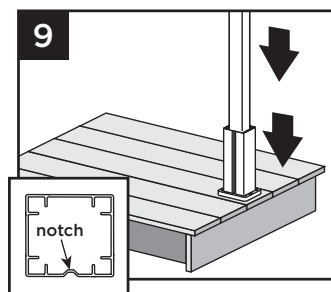
NOTES:

- » Use composite shims or similar material (*not provided*) if posts are not plumb. Ensure that post is placed on decking surface so that it clears the rim joist and there is enough clearance on the underside blocking for the back plate to be installed.
- » Rim joist removed to show proper attachment of hardware.

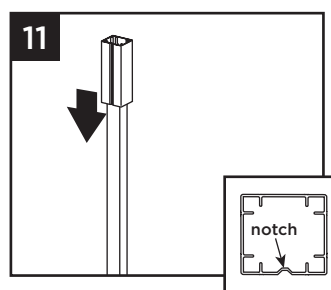
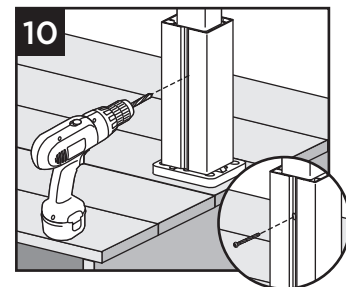
Install Guide Blocks

NOTE: Pre-drilling is not required but is optional for attachment of guide blocks to post. Use a drill bit slightly smaller in size than that of screw being installed.

9. Place or rest bottom aluminum guide block on bottom of post. Place guide on post so that notch is on a side that does not require railing to be attached.

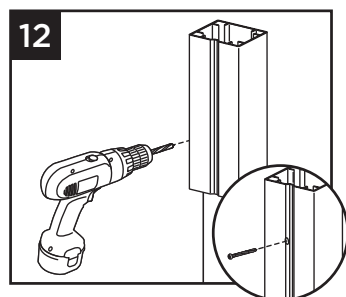


10. Attach bottom guide block using one 10 x 1" self-tapping screw (*provided*) in notch to lock guide block onto post.



11. Location of top guide block will vary slightly depending on type and height of railing being installed. Determine this measurement and place top guide block in location where top bracket for desired railing would be approximately on center of the top railing bracket location.

12. Attach top guide block using one 10 x 1" self-tapping screw (*provided*) in notch to lock guide block onto post.



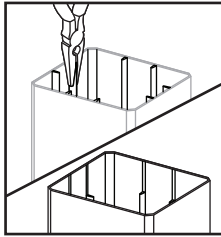
TREX® POST MOUNT - DECKING AND CONCRETE

LOCATION AND INSTALLATION OF SURFACE MOUNT POST - DECKING/ CONTINUED

Install Railing System of Choice

IMPORTANT NOTES:

- » POST SLEEVE WILL NEED TO HAVE INTERNAL RIBS TRIMMED SLIGHTLY IN ORDER FOR POST SLEEVE TO SIT OVER BASE OF POST MOUNT. THIS IS NOT MANDATORY AND ONLY REQUIRED IF NOT USING A POST SLEEVE SKIRT.
- » A quantity of 18 #8-15 x 1-1/4" screws are provided to cover all types of Trex railing bracket installations (Transcend, Trex Signature®, and Select). Depending on the type railing being installed, you may have screws that are not used.



- » If using 6x6 post sleeves, attach designated railing brackets using #8-15 x 1-3/4" (4.4 cm) 316 stainless steel self-tapping screws (not provided).
- » If installing Trex Transcend Bird's Mouth brackets, attach brackets using 1 1/2" 316 stainless steel self-tapping screws (not provided).
- » Pre-drilling IS REQUIRED when attaching brackets to designated posts. Use a 9/64" (3.6 mm) drill bit to pre-drill at specified locations according to instructions provided with railing kits.

NOTE: If installing Trex Deck Lighting on the posts, drill hole through support blocks to allow wiring for lights to be below the surface of the decking.

LOCATION AND INSTALLATION OF IRC-APPROVED POST MOUNTS - CONCRETE

NOTES:

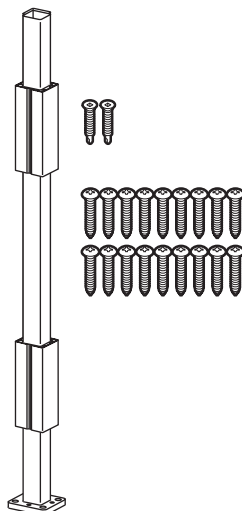
- » INSTALLATION SHOWN HERE IS FOR IRC APPROVED APPLICATIONS ONLY.
- » MAKE SURE CONCRETE IS LEVEL BEFORE INSTALLING POSTS.
- » ALWAYS REFER TO YOUR LOCAL BUILDING CODE OFFICIAL PRIOR TO INSTALLING ANY RAILING SYSTEM TO ENSURE ALL CODE AND SAFETY REQUIREMENTS ARE MET. TREX® CANNOT BE HELD RESPONSIBLE FOR IMPROPER OR NON-RECOMMENDED INSTALLATIONS.
- » CANNOT BE USED WITH TREX TRANSCEND COCKTAIL RAILING.

TOOLS NEEDED

- » Hammer
- » Drill and/or screw gun
- » 3/8" (10 mm) drill bit for concrete

PARTS

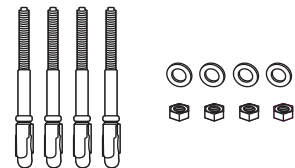
- » (1) Post mount
- » (2) Guide blocks
- » (18) #8-15 x 1-1/4" (32 mm) screws
- » (2) 10 x 1" (25 mm) Self-tapping screws



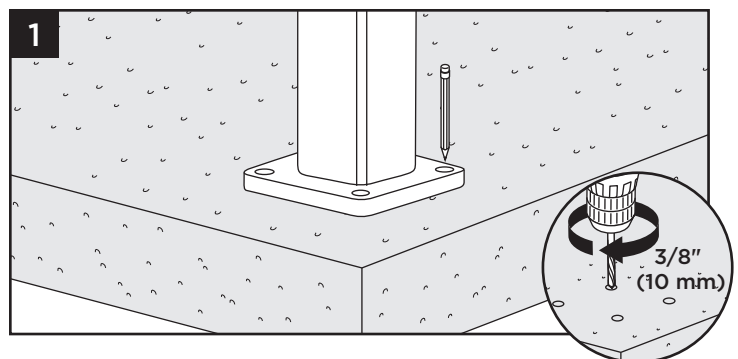
SKU ALPOSTHWCNC

(this SKU SOLD SEPARATELY)

- » (4) 3/8" x 3-3/4" (10 mm x 95 mm) Expansion anchor
- » (4) Flat washers
- » (4) Hex nuts



Pre-drill Holes

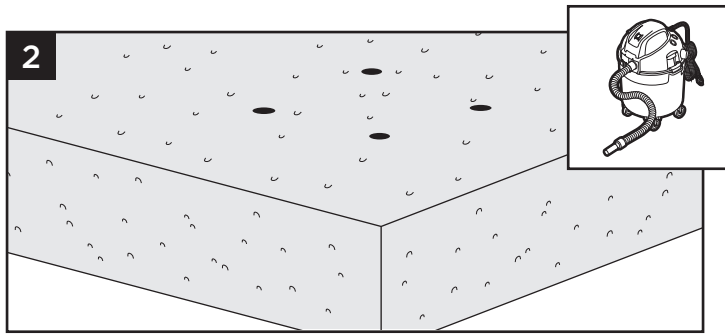


1. Using post as a template, mark locations of the four holes and drill into concrete at least 2-5/8" (66.7 mm) using a 3/8" (10 mm) masonry bit.

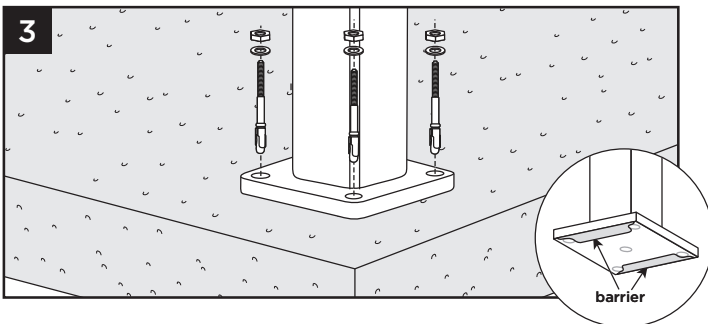
NOTE: You can either set drill bit to correct depth on drill or mark drill bit with tape at required dimension to ensure all holes are drilled at the correct depth.

TREX® POST MOUNT - DECKING AND CONCRETE

LOCATION AND INSTALLATION OF IRC-APPROVED POST MOUNTS - CONCRETE/CONTINUED



2. Clean out holes to remove all concrete dust.



3. Insert (2) stainless steel barrier strips (not provided) under mounting bolt holes (these can be purchased on ShopTrex.com). Use appropriate shims if posts are not plumb. Secure post mount with the four expansion anchors, washers and nuts.

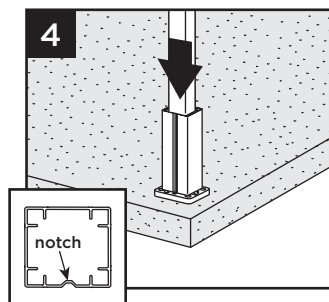
NOTE: When using hammer to tap anchors in place, keep the threaded nut at the top of the anchor in order to not damage the threads.

NOTE: Recommended torque for anchors is 30 ft-lbs.

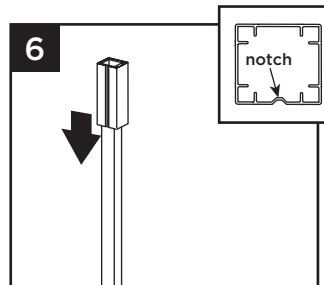
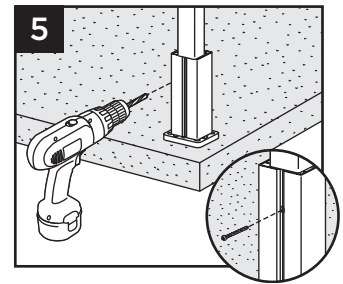
Install Guide Blocks

NOTE: Pre-drilling is not required but is optional for attachment of guide blocks to post. Use a drill bit slightly smaller in size than that of screw being installed.

4. Place or rest bottom aluminum guide block on bottom of post. Place guide on post so that notch is on a side that does not require railing to be attached.

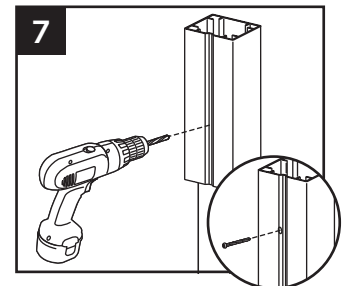


5. Attach bottom guide block using one 10 x 1" (25 mm) self-tapping screw (provided) in notch to lock guide block onto post.



6. Location of top guide block will vary slightly depending on type and height of railing being installed. Determine this measurement and place top guide block in location where top bracket for desired railing would be approximately on center of the top railing bracket location.

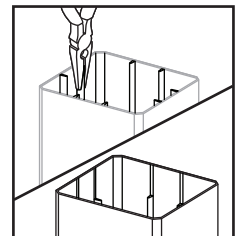
7. Attach top guide block using one 10 x 1" (25 mm) self-tapping screw (provided) in notch to lock guide block onto post.



Install Railing System of Choice

IMPORTANT NOTES:

- » *POST SLEEVE WILL NEED TO HAVE INTERNAL RIBS TRIMMED SLIGHTLY IN ORDER FOR POST SLEEVE TO SIT OVER BASE OF POST MOUNT. THIS IS NOT MANDATORY AND ONLY REQUIRED IF NOT USING A POST SLEEVE SKIRT.*
- » *A quantity of 18 #8-15 x 1-1/4" screws are provided to cover all types of Trex railing bracket installations (Transcend, Trex Signature®, and Select). Depending on the type railing being installed, you may have screws that are not used.*
- » *Pre-drilling IS REQUIRED when attaching brackets to designated posts. Use a 9/64" (3.6 mm) drill bit to pre-drill at specified locations according to instructions provided with railing kits.*
- » *If using 6x6 post sleeves, attach designated railing brackets using #8-15 x 1-3/4" (44 mm) 316 stainless steel self-tapping screws (not provided).*
- » *If installing Trex Transcend Bird's Mouth brackets, attach brackets using 1 1/2" 316 stainless steel self-tapping screws (not provided).*



NOTE: If installing Trex Lighting on the posts, drill hole through support blocks to allow wiring for lights to be below the surface of the decking.